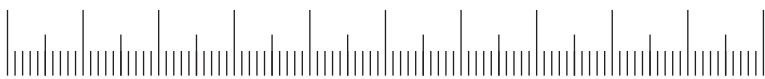
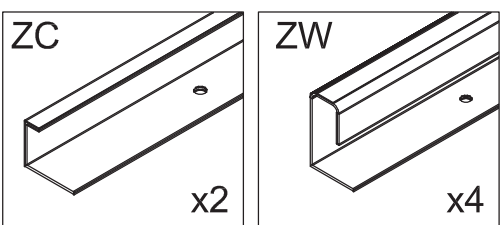
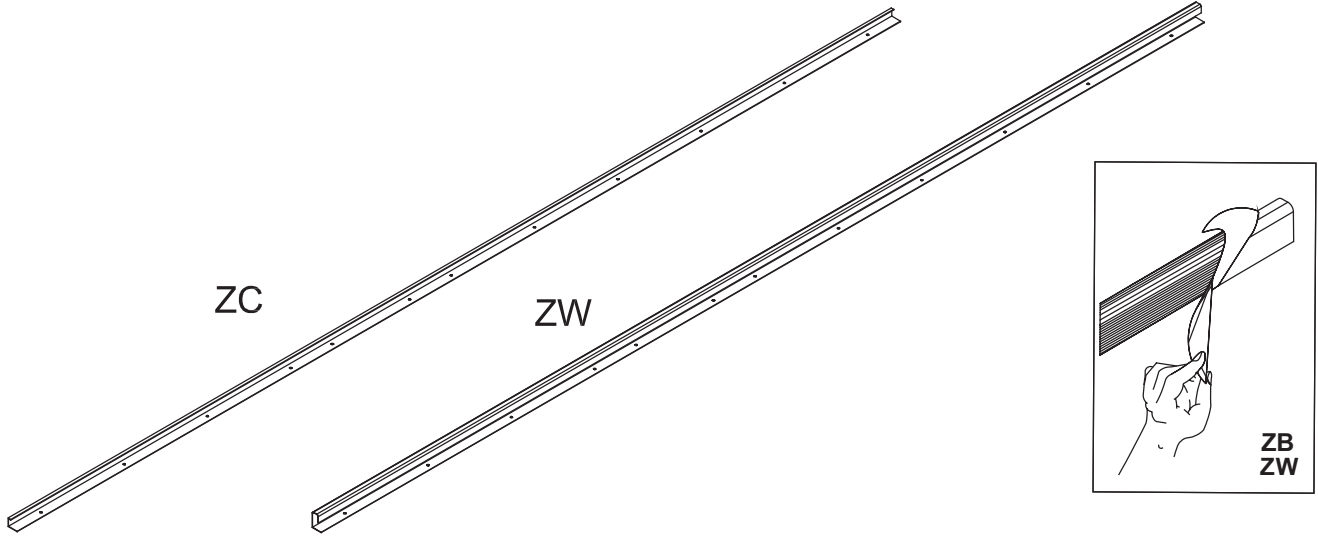
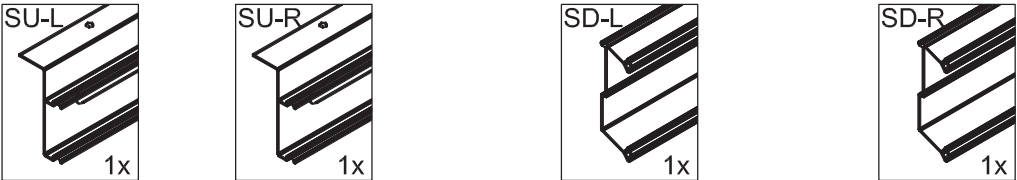
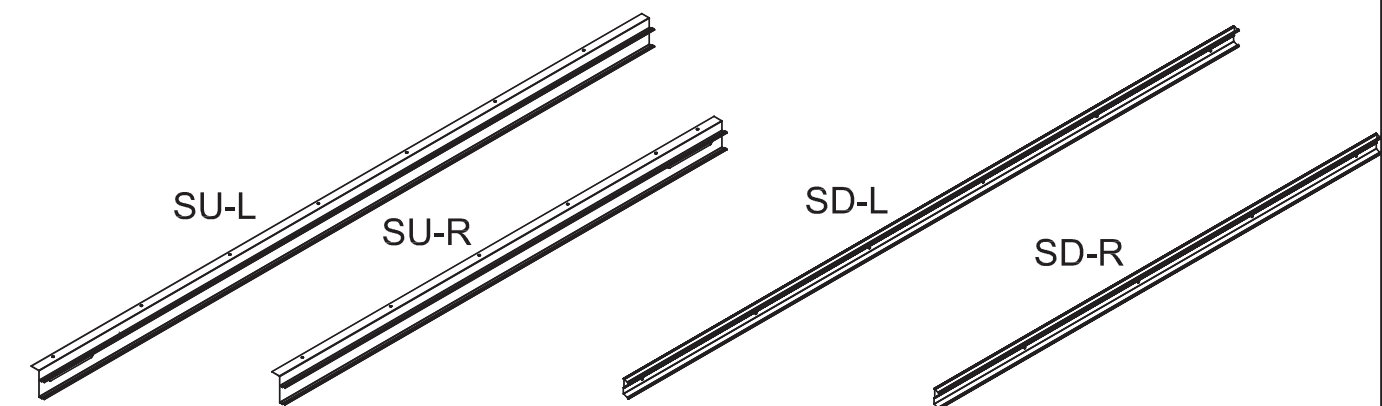
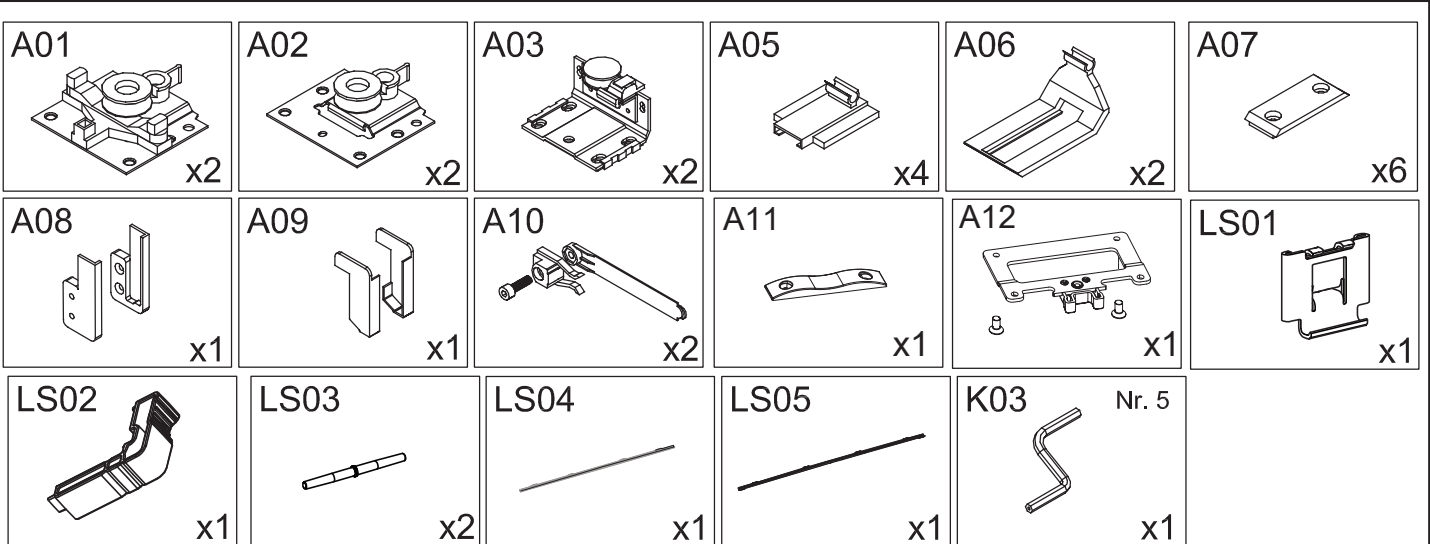


<b>A</b>  x24	<b>B</b>  x40	<b>C</b>  x24	<b>D</b>  x40	<b>E</b> Ø8x30  x56
<b>E1</b> Ø8x50  x2	<b>F</b>  x16	<b>G</b>  x36	<b>H</b> 4,0x16  x54	<b>J</b> 6,3x13  x60
<b>K</b>  x6	<b>L</b> L=976 mm  x1	<b>L1</b> L=398 mm  x2	<b>M</b> 3,5x15  x187	<b>N</b>  x14
<b>P</b>  x8	<b>S</b>  x24	<b>T</b>  x2	<b>I</b>  x6	<b>W</b>  x12
<b>K02</b> Nr.4  x1	<b>R</b>  x2	<b>O</b>  x12	 <b>1/8</b>	

0 10 20 30 40 50 60 70 80 90 100

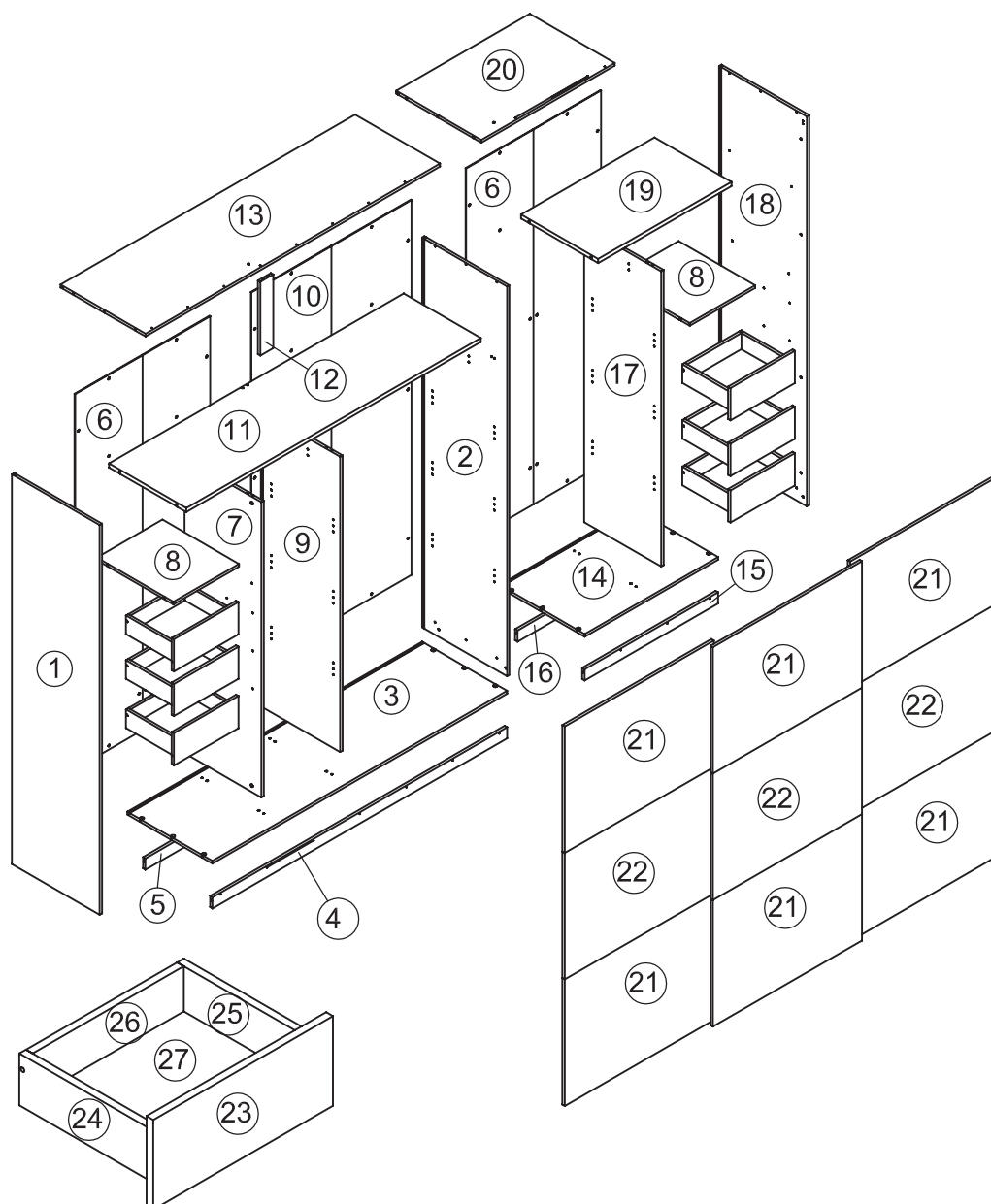




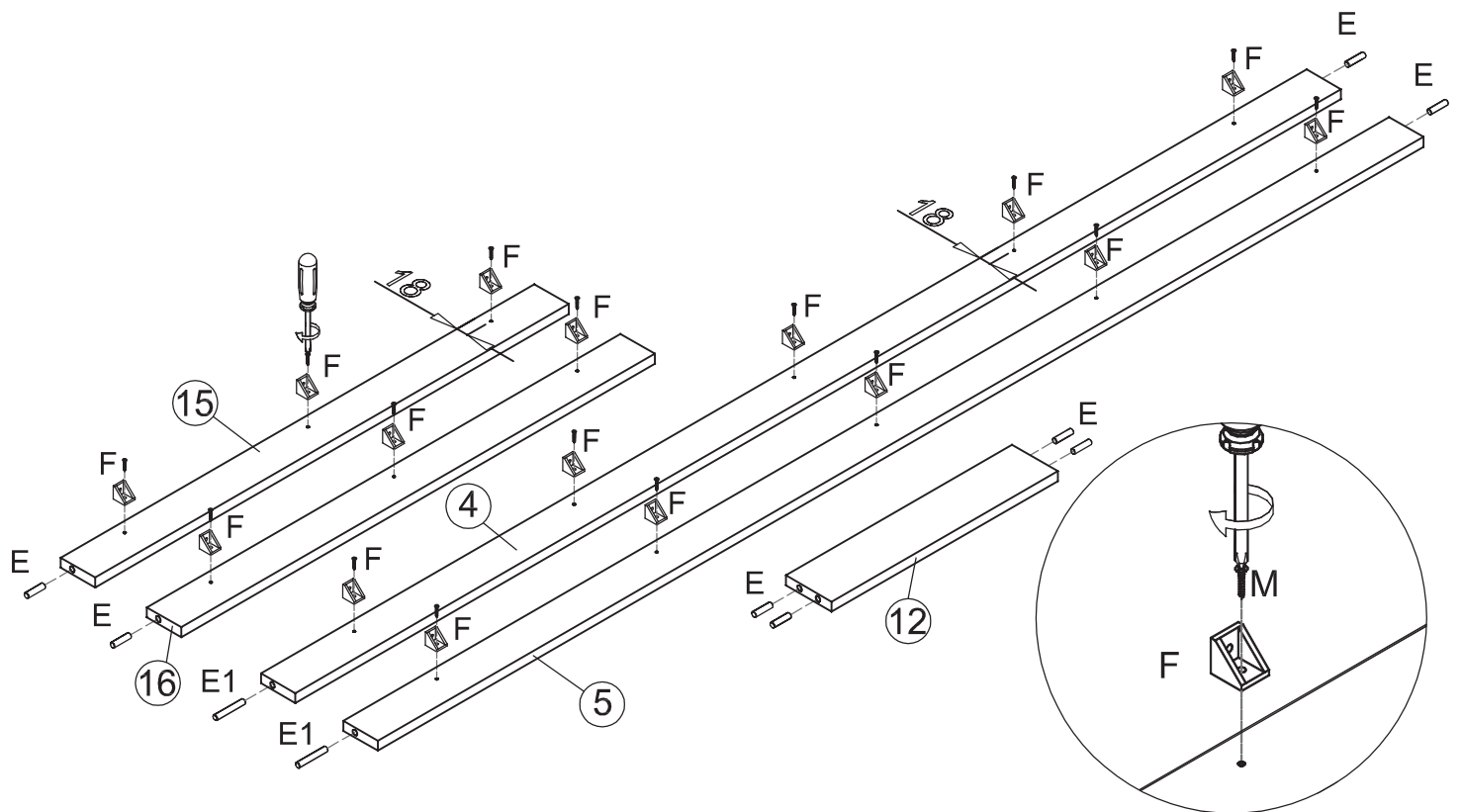
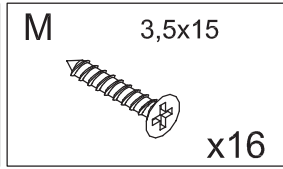
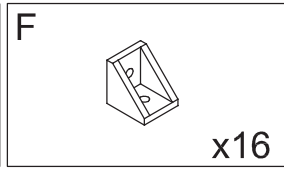
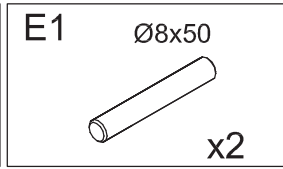
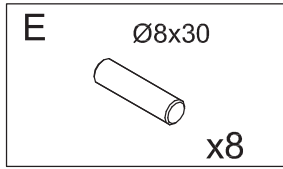
NR	DIM	QTE	COLLI
ZC	L-2036	2	1/8
ZW	L-2036	4	1/8
SU-L	L-1546	1	1/8
SU-R	L-1120	1	1/8
SD-L	L-1546	1	1/8
SD-R	L-1120	1	1/8

NR	DIM	QTE	COLLI
1	2092 x 544 x 15	1	3/8
2	2092 x 527 x 15	1	4/8
3	1826 x 527 x 15	1	2/8
4	1826 x 60 x 15	1	2/8
5	1826 x 60 x 15	1	2/8
6	2012 x 418 x 3	4	4/8
7	1585 x 477 x 15	1	6/8
8	406 x 475 x 15	2	2/8
9	1585 x 491 x 15	1	6/8
10	2012 x 496 x 3	2	3/8
11	1826 x 478 x 22	1	5/8
12	395 x 80 x 15	1	5/8
13	1826 x 527 x 15	1	2/8
21	924 x 679 x 15	1	8/8

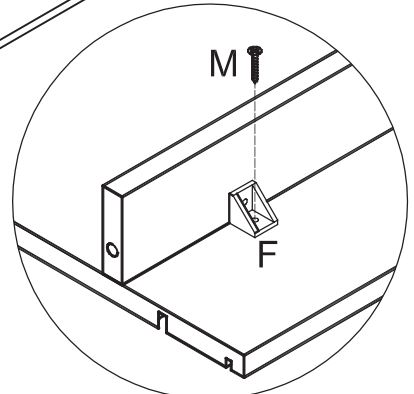
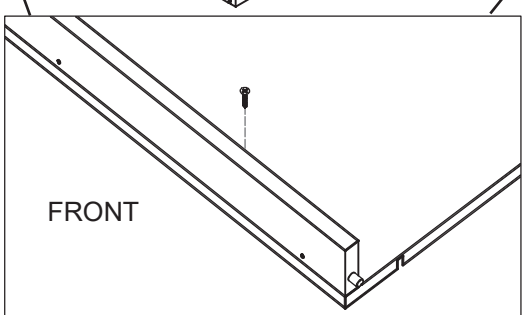
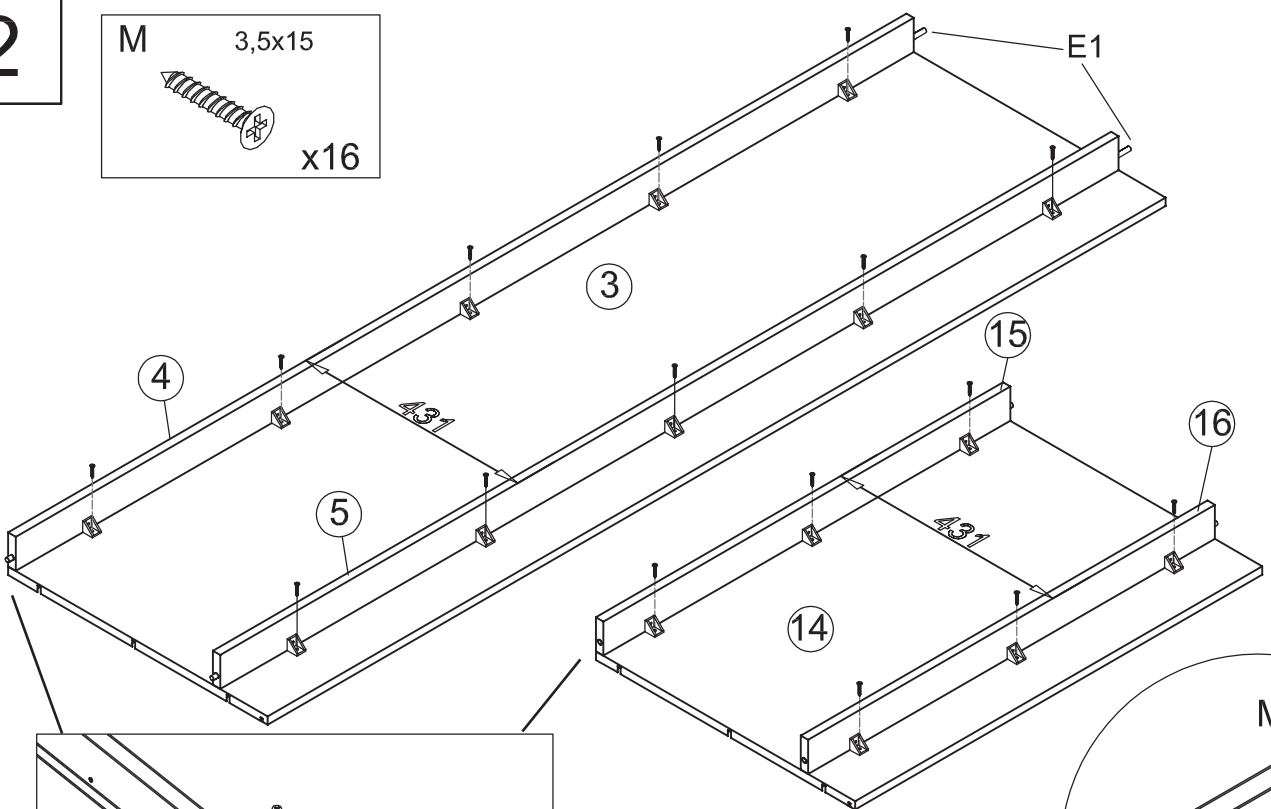
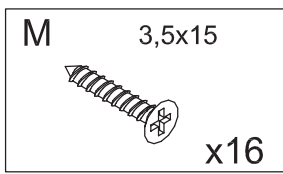
NR	DIM	QTE	COLLI
14	827 x 527 x 15	1	4/8
15	827 x 60 x 15	1	2/8
16	827 x 60 x 15	1	2/8
17	1585 x 477 x 15	1	6/8
18	2092 x 544 x 15	1	3/8
19	827 x 478 x 22	1	5/8
20	827 x 527 x 15	1	4/8
21	924 x 679 x 15	5	7/8
22	924 x 679 x 15	3	8/8
23	400 x 173 x 15	6	8/8
24	300 x 100 x 15	6	5/8
25	300 x 100 x 15	6	5/8
26	336 x 87 x 15	6	2/8
27	349 x 306 x 3	6	4/8



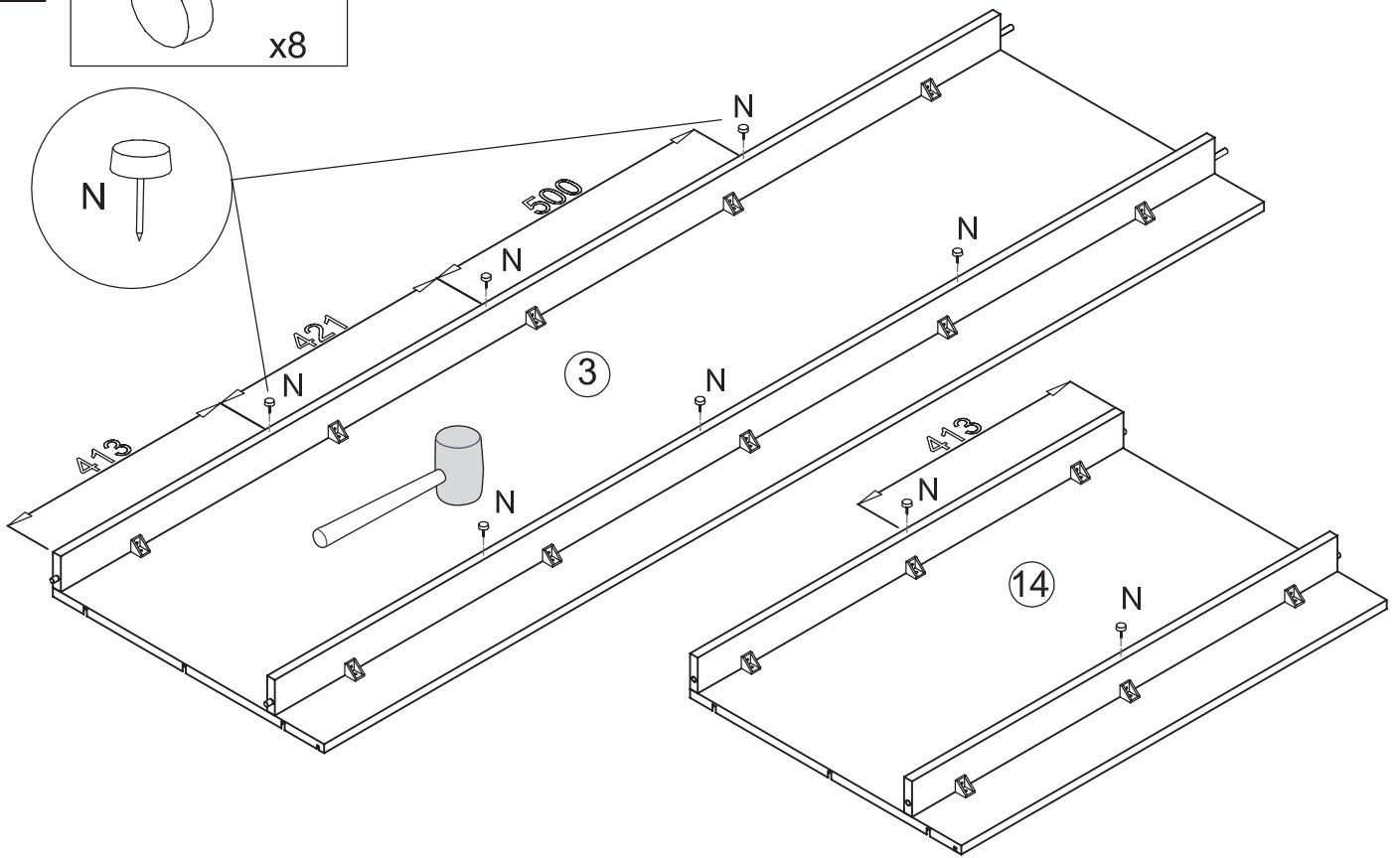
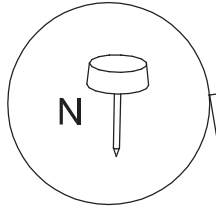
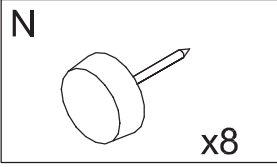
1



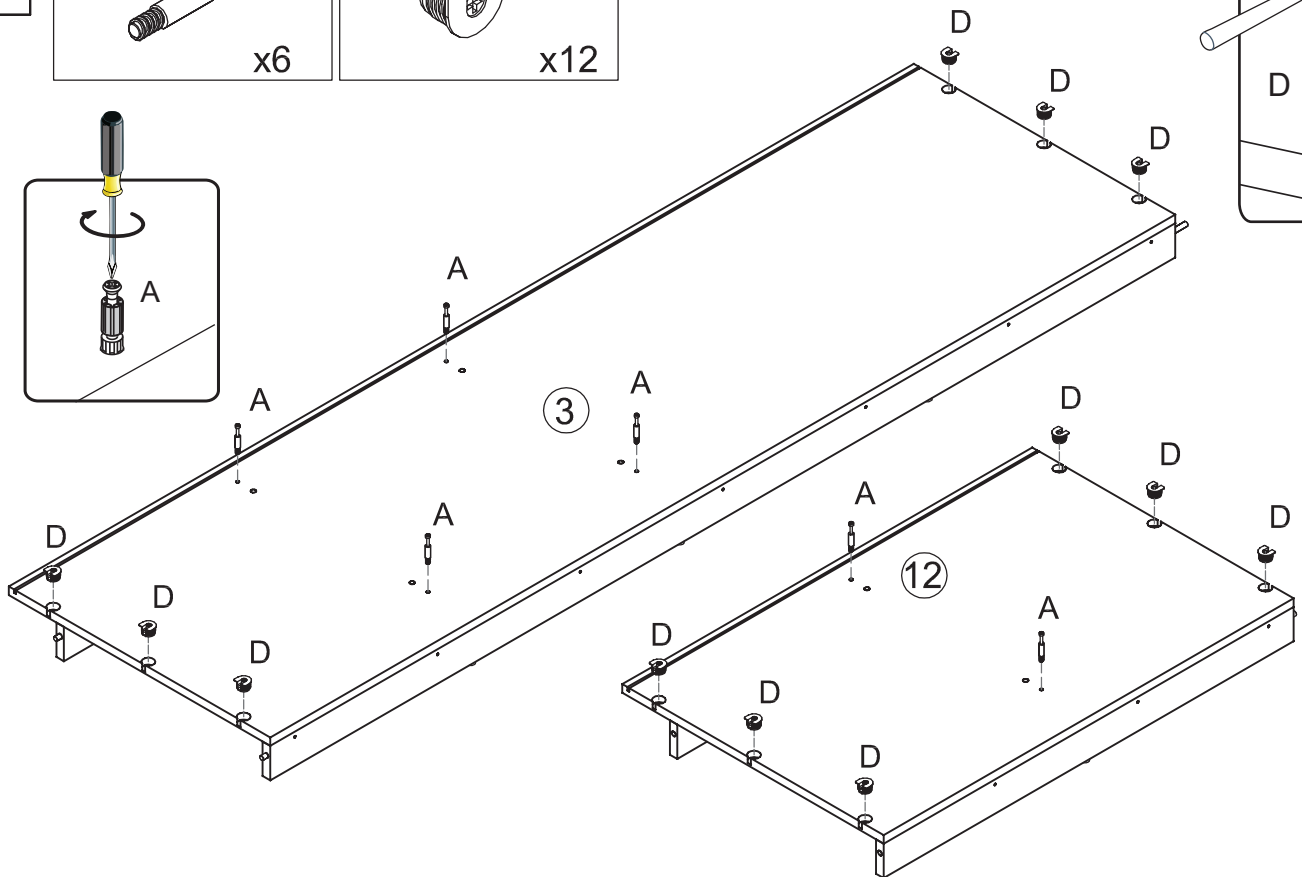
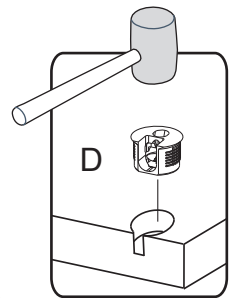
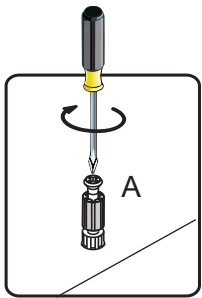
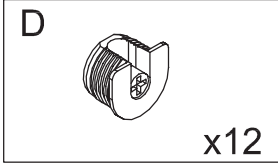
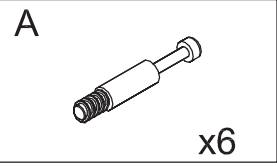
2



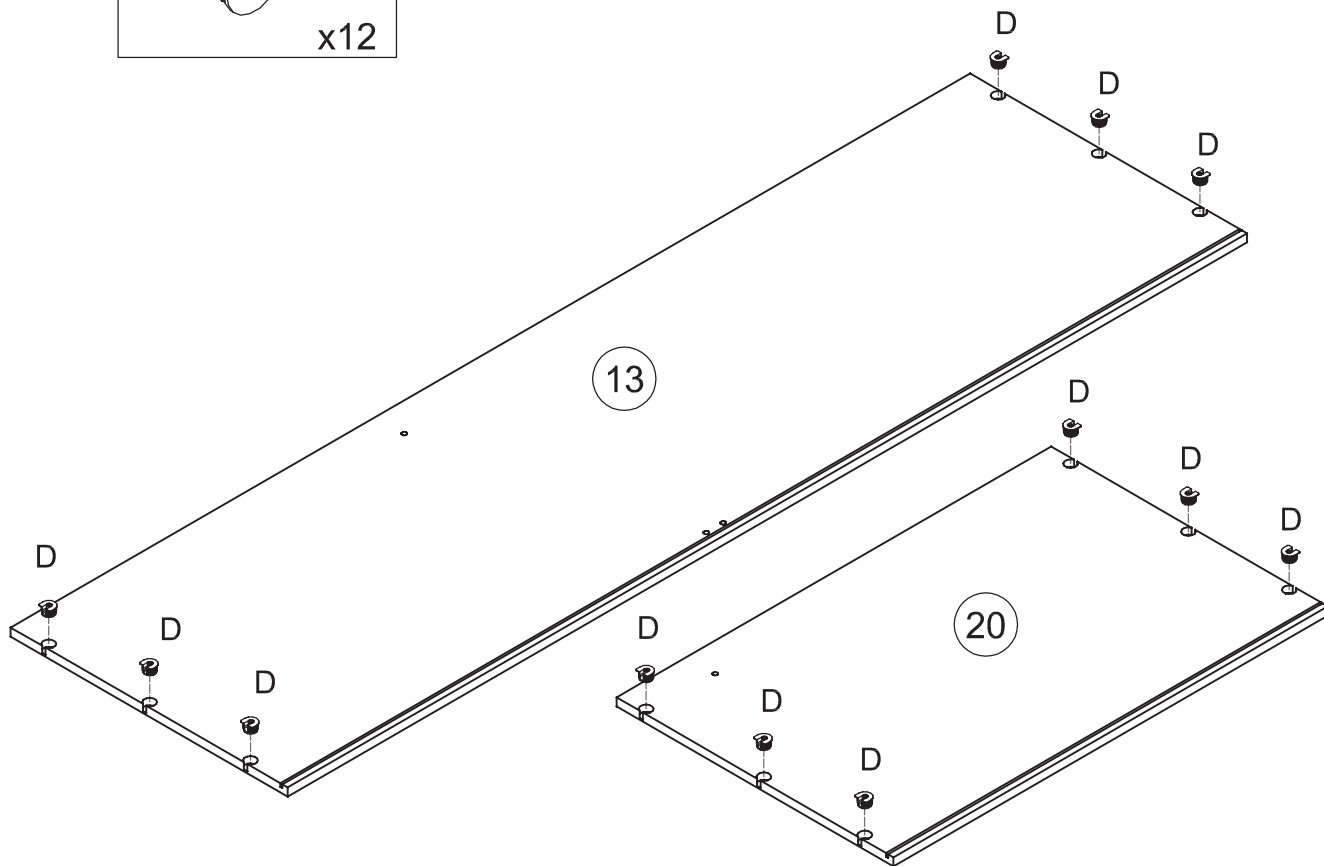
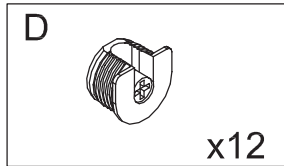
3



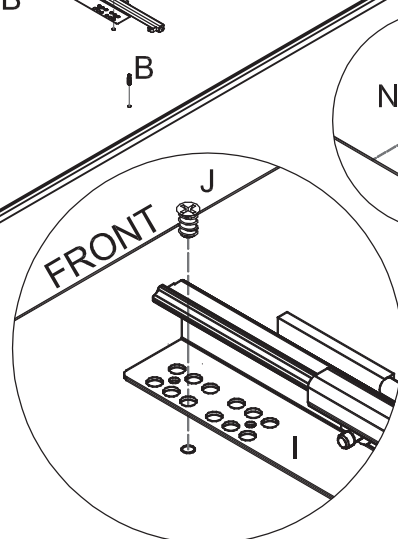
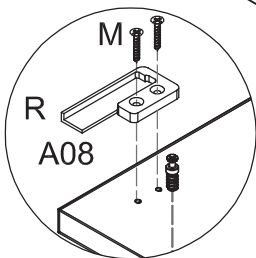
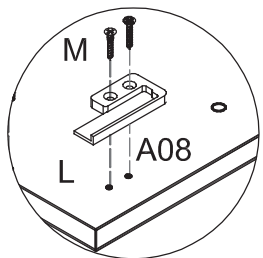
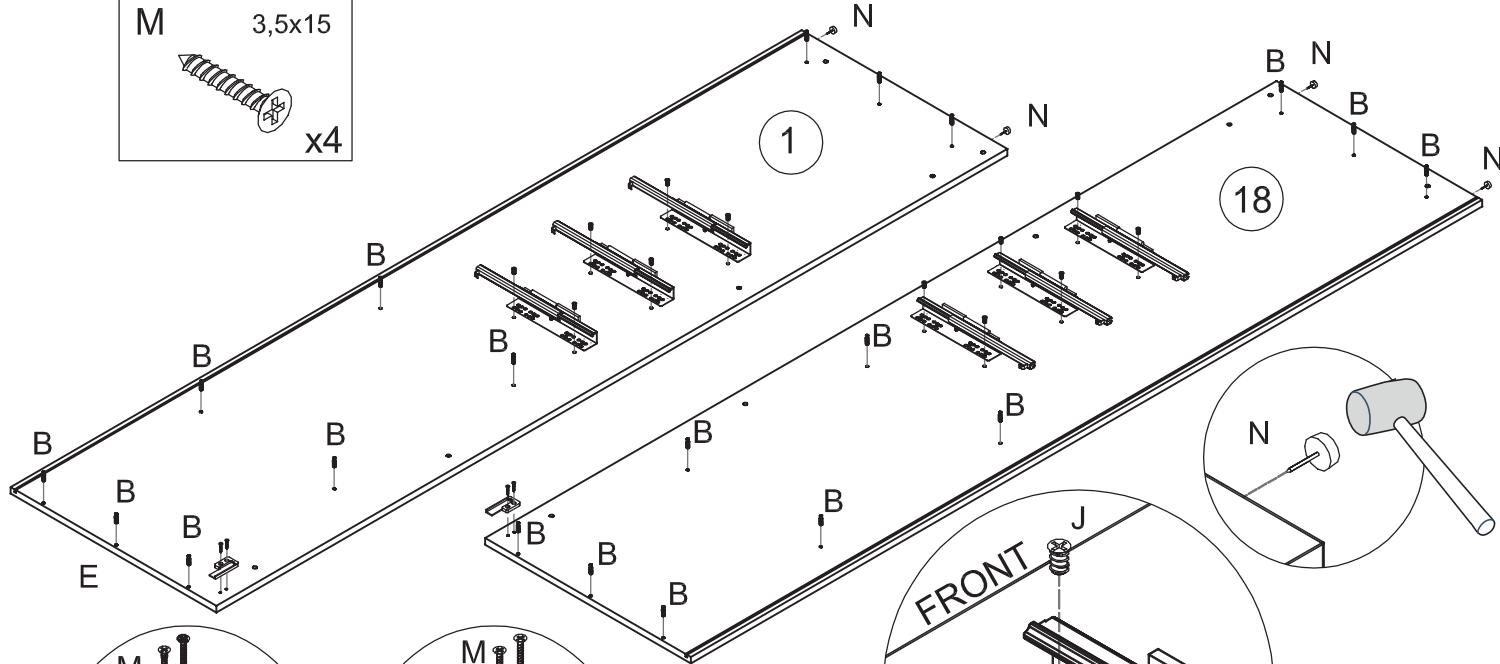
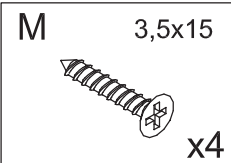
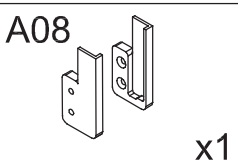
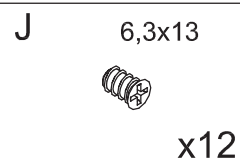
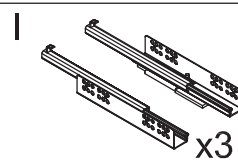
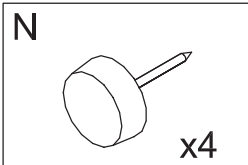
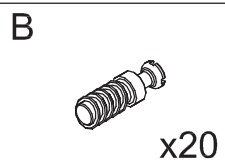
4



5

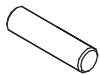


6



7

E Ø8x30



x4

B



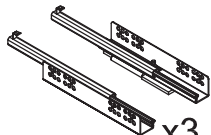
x2

C



x4

I



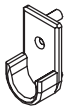
x3

J 6,3x13



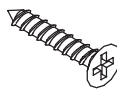
x6

K

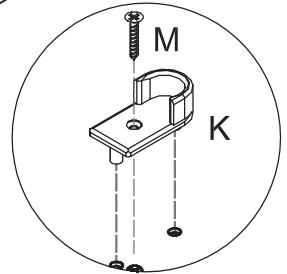
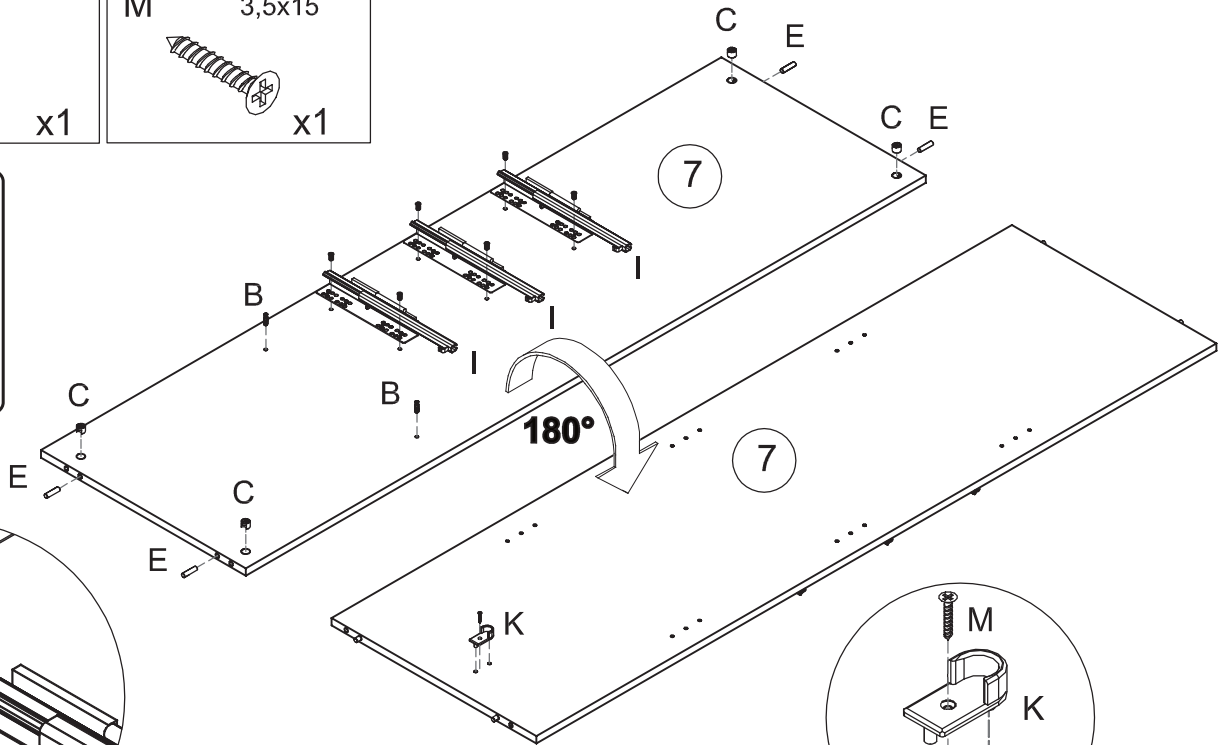
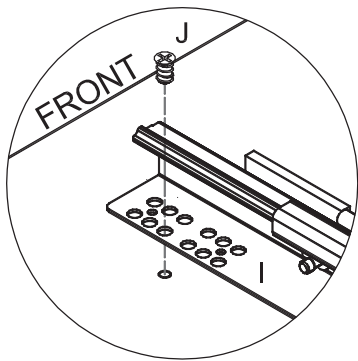
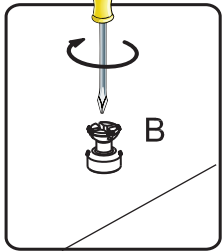


x1

M 3,5x15

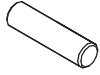


x1



8

E Ø8x30



x4

B



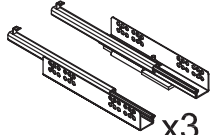
x2

C



x4

I



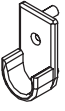
x3

J 6,3x13



x6

K

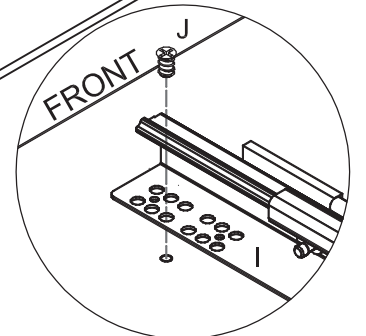
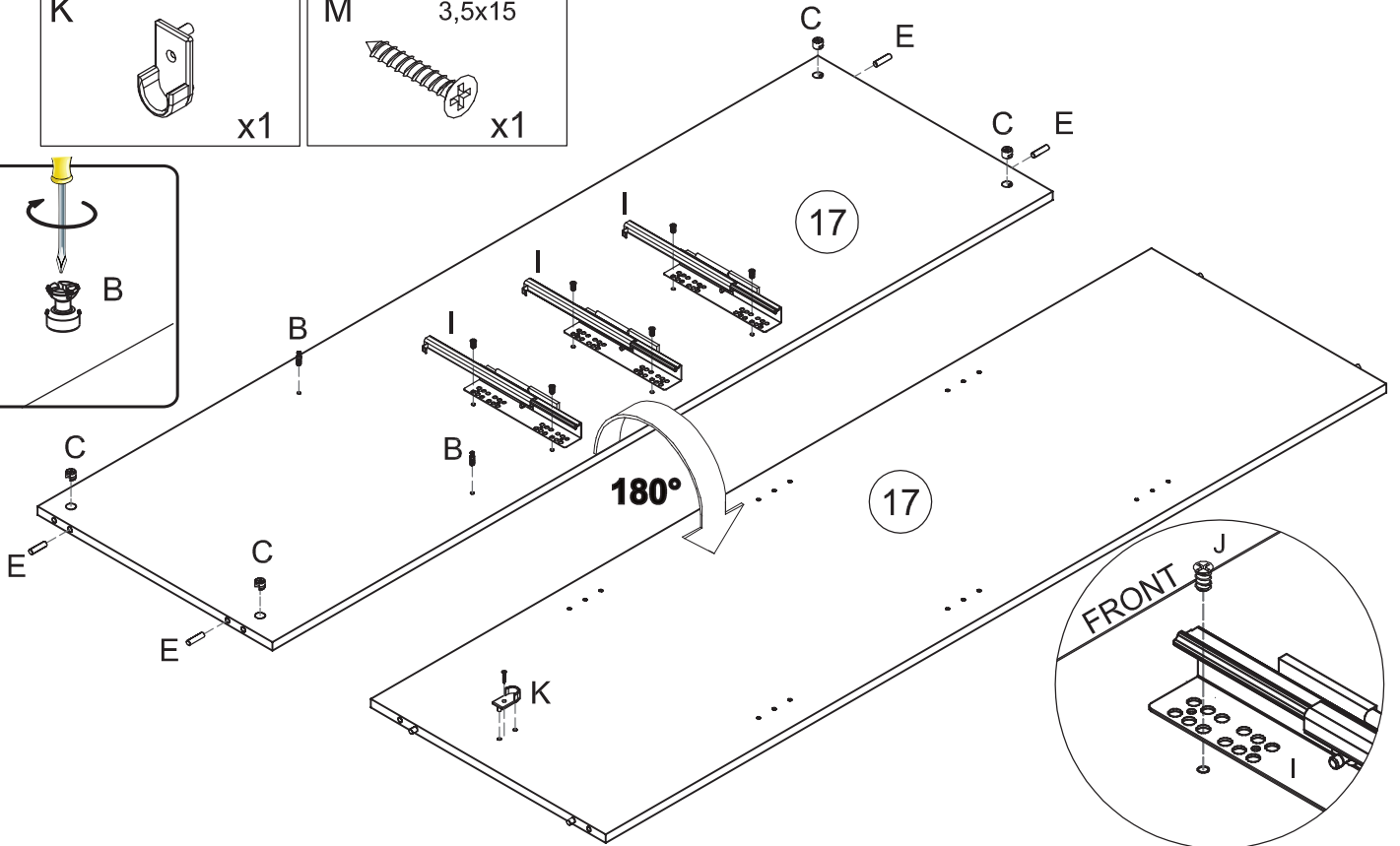
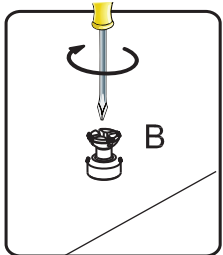


x1

M 3,5x15

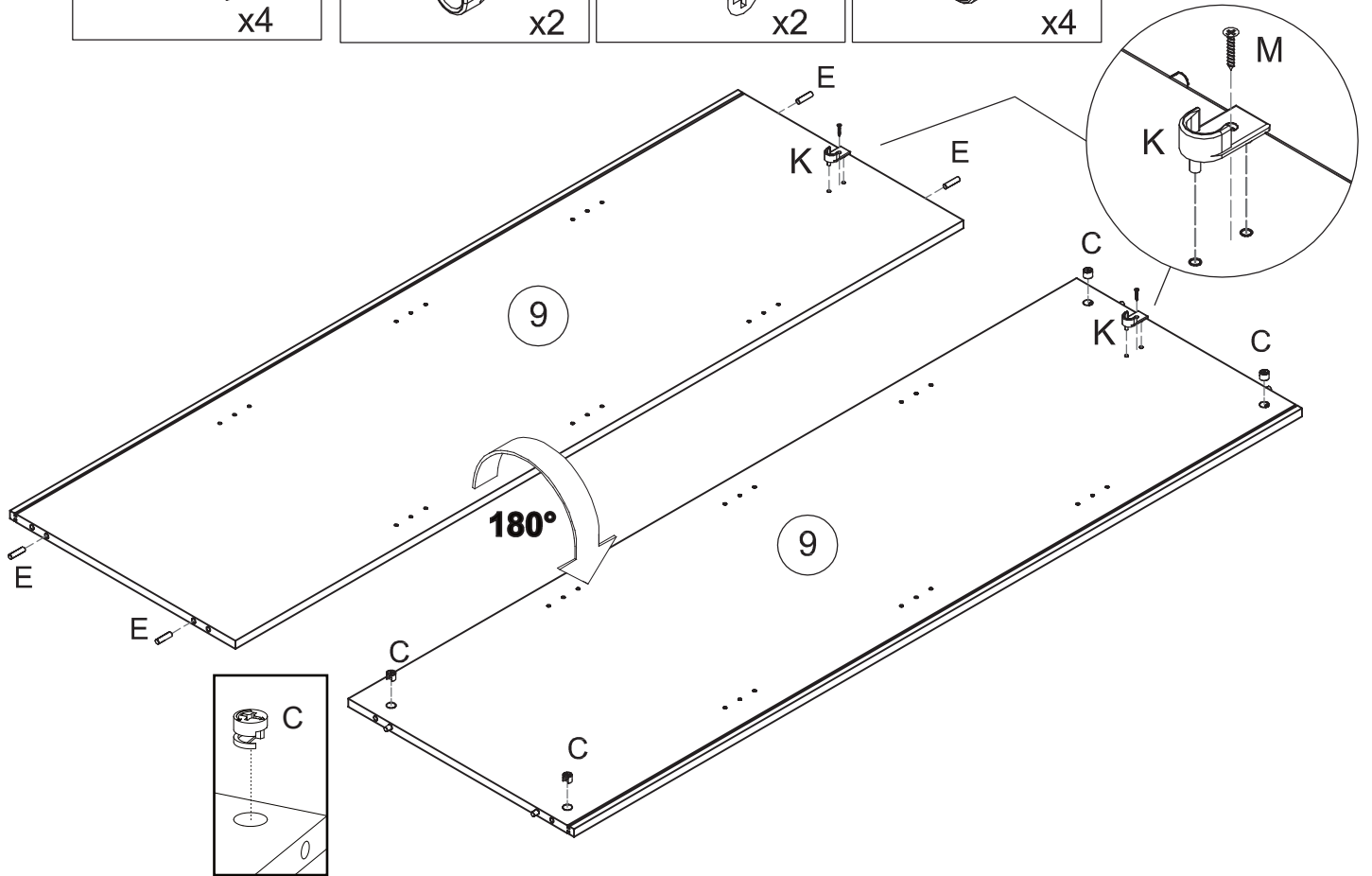
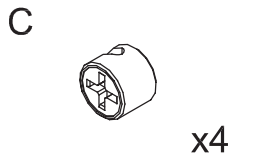
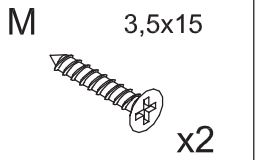
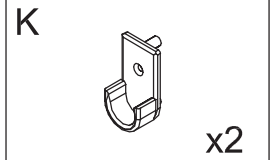
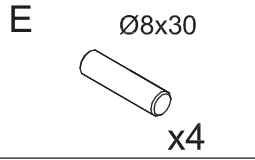


x1

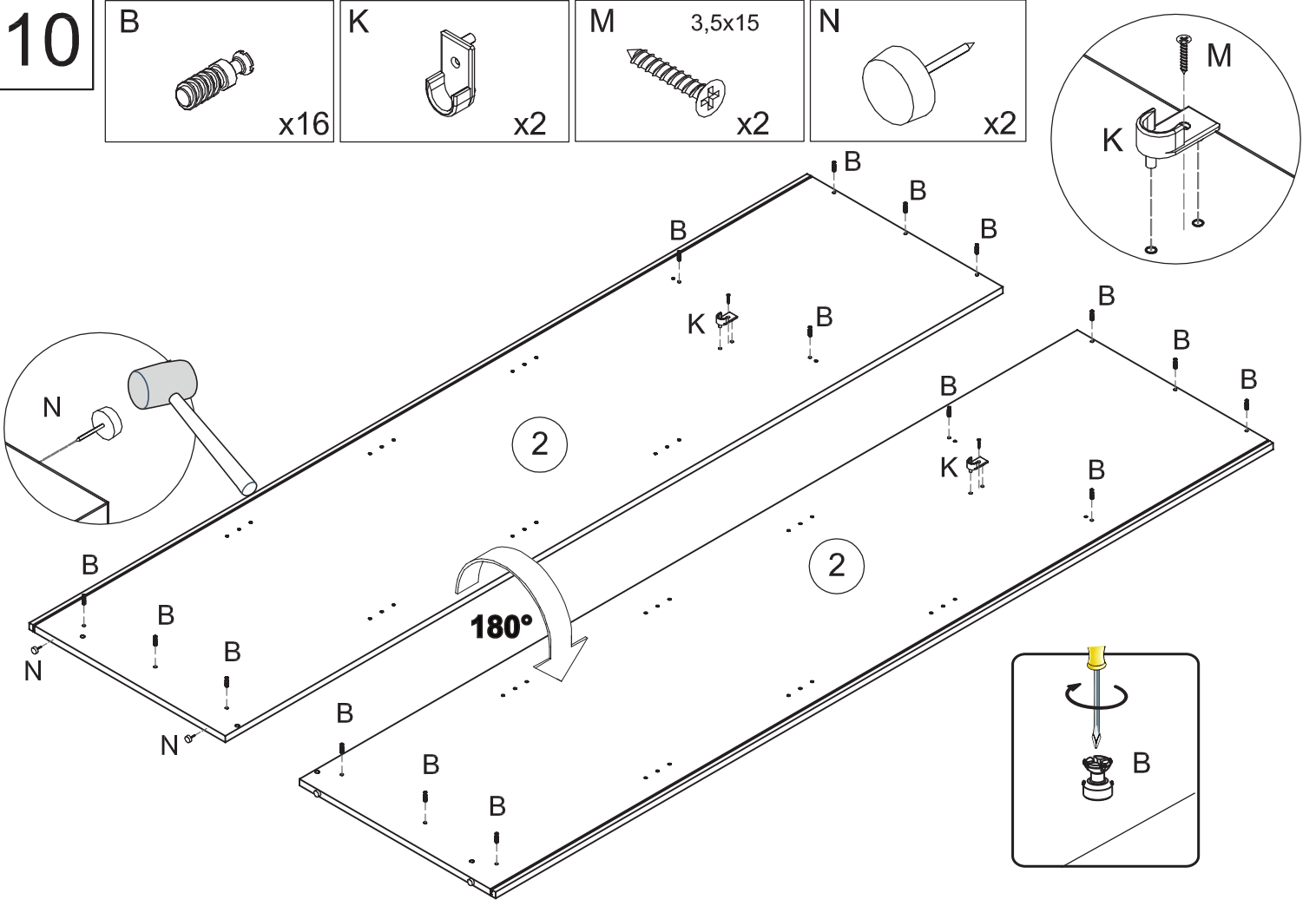
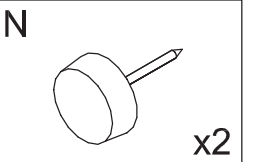
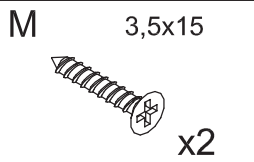
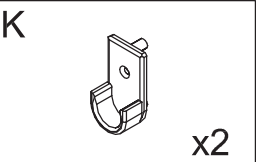
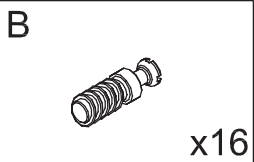




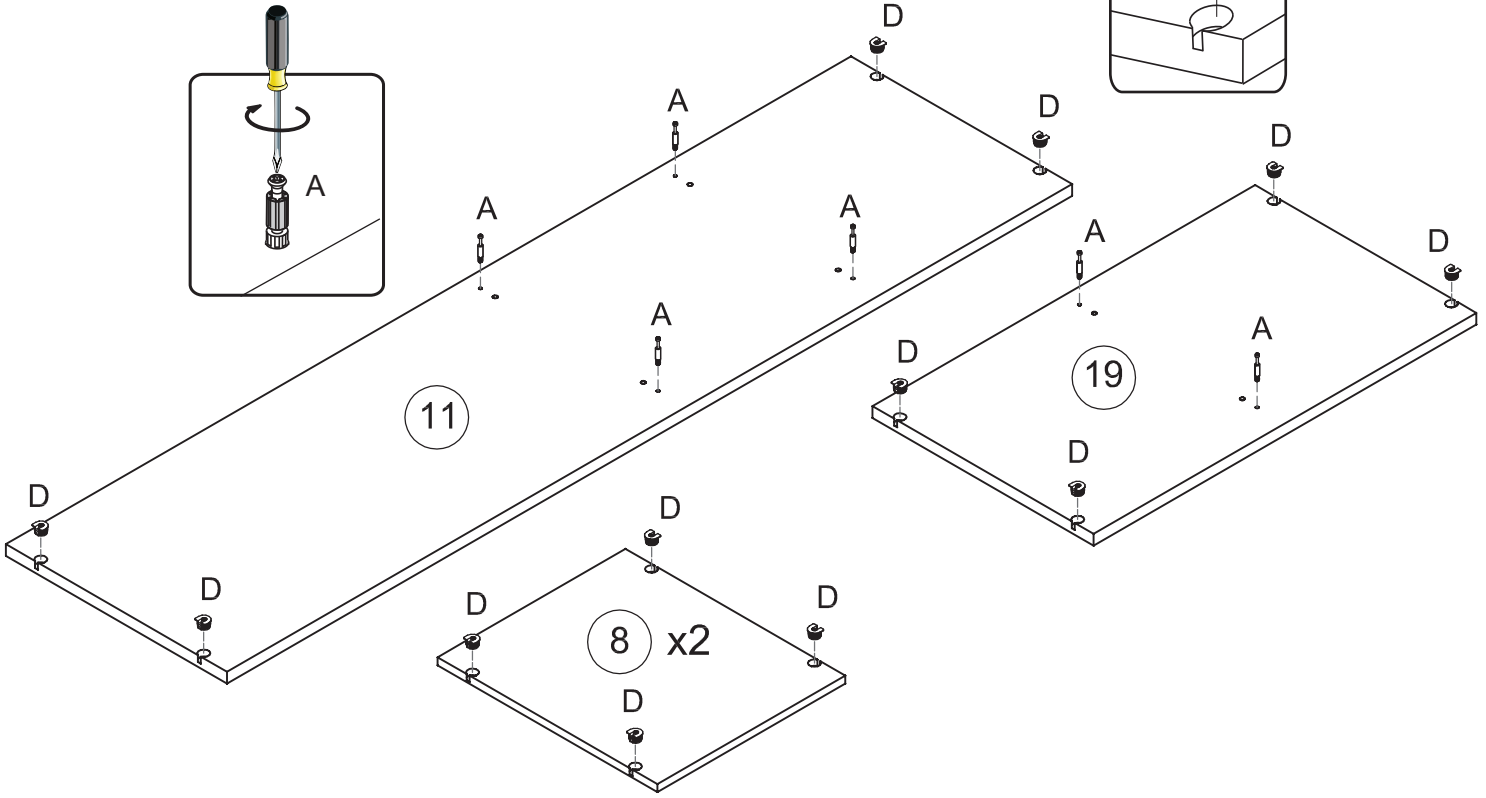
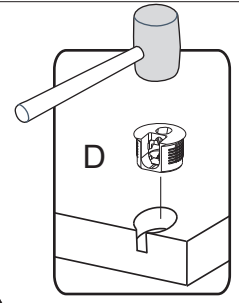
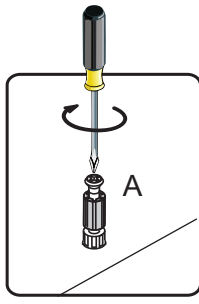
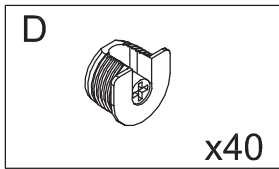
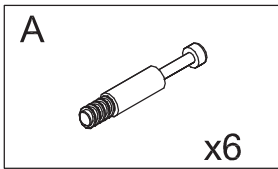
9



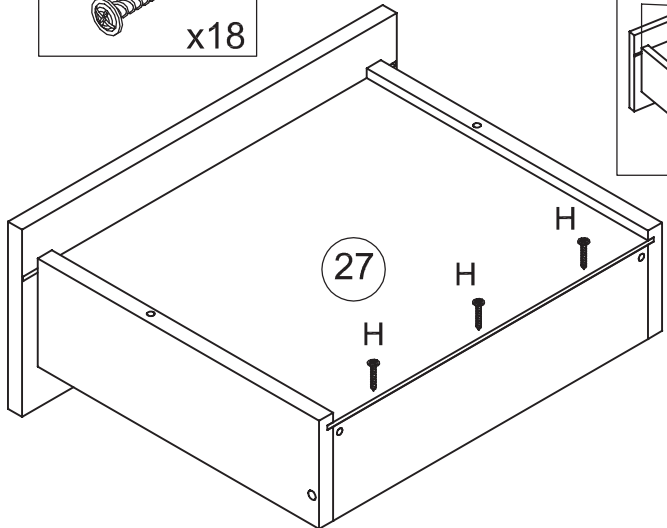
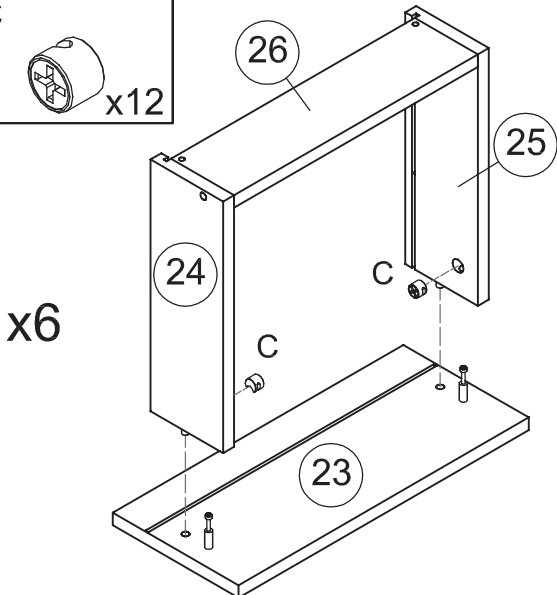
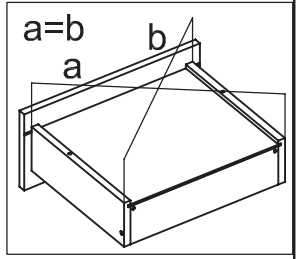
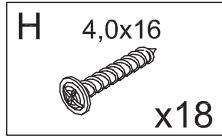
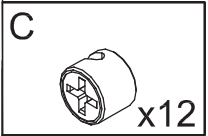
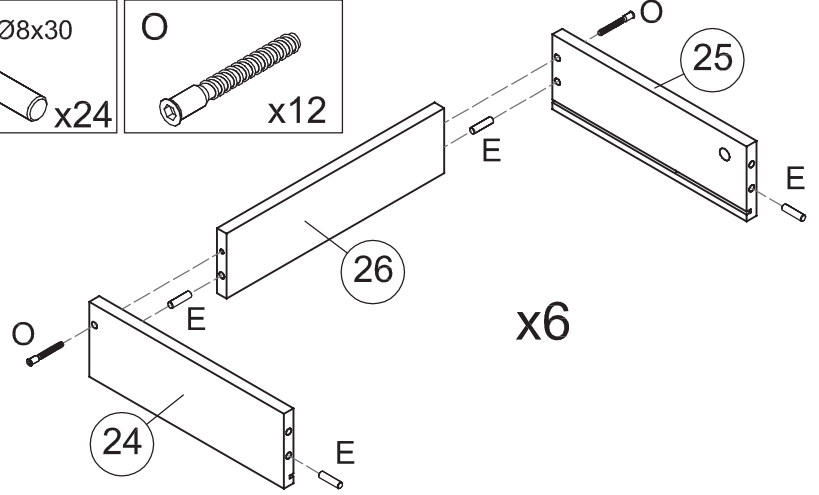
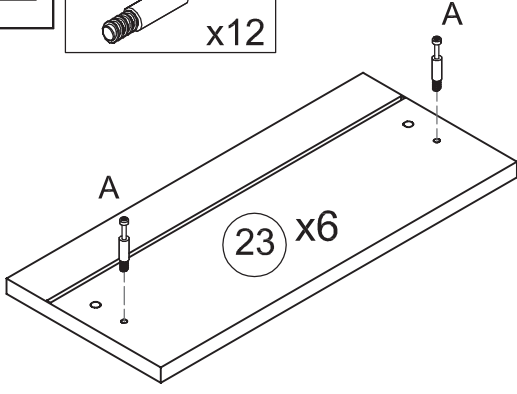
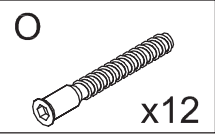
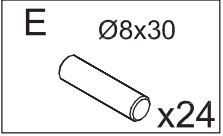
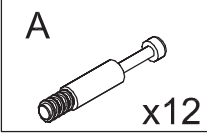
10



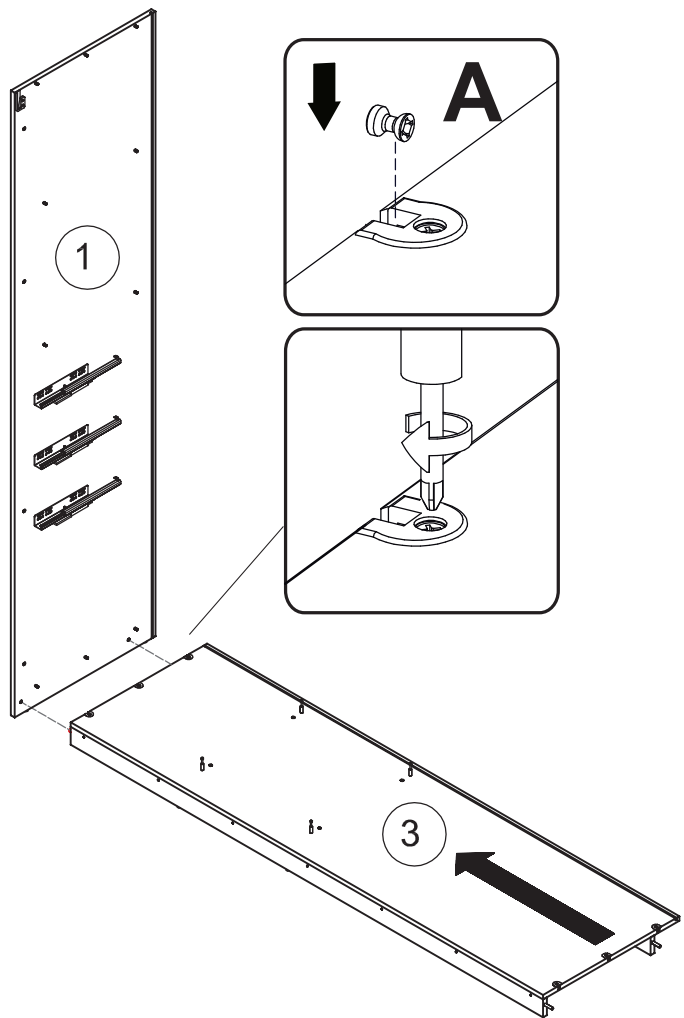
11



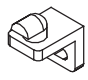
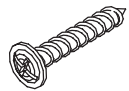
12

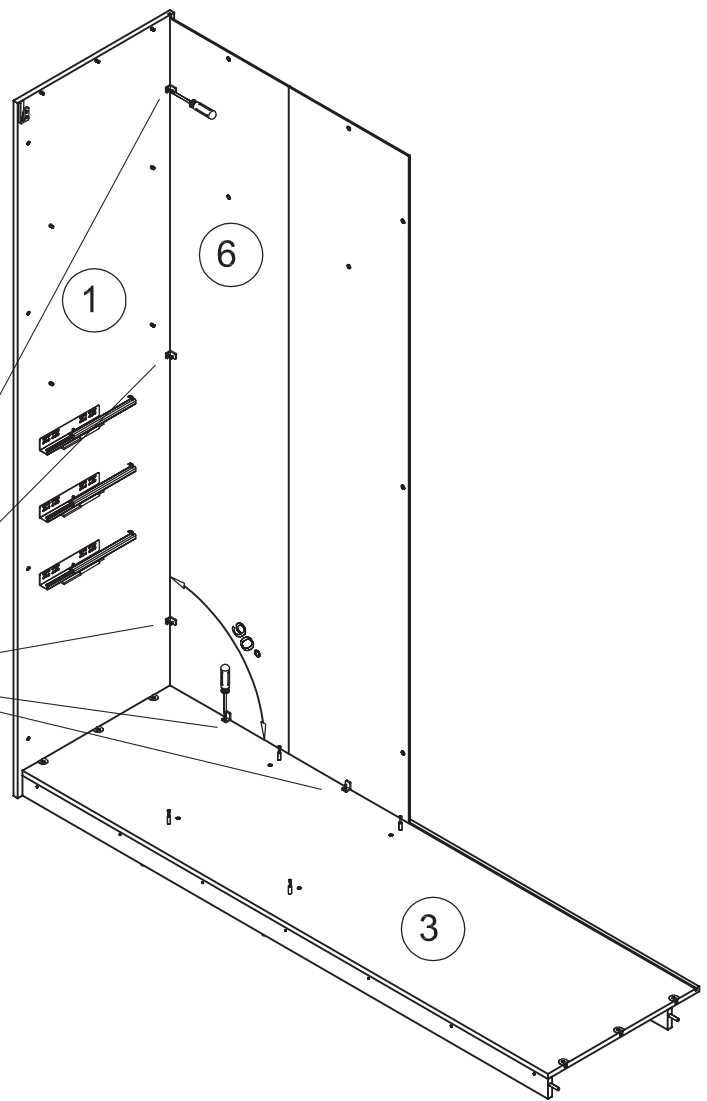
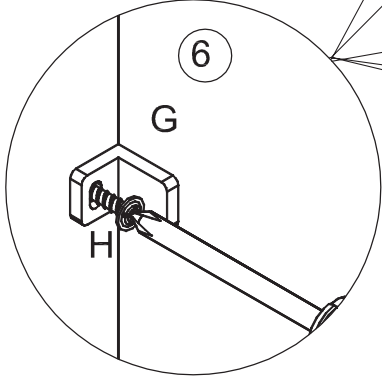
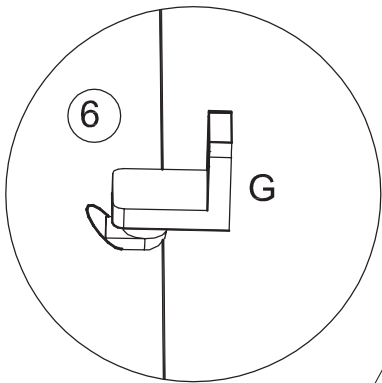


13

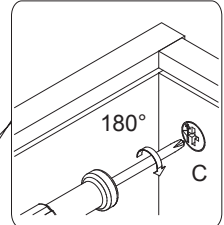
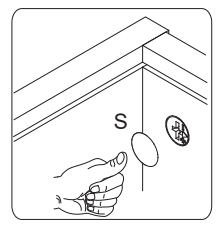
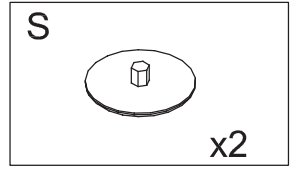
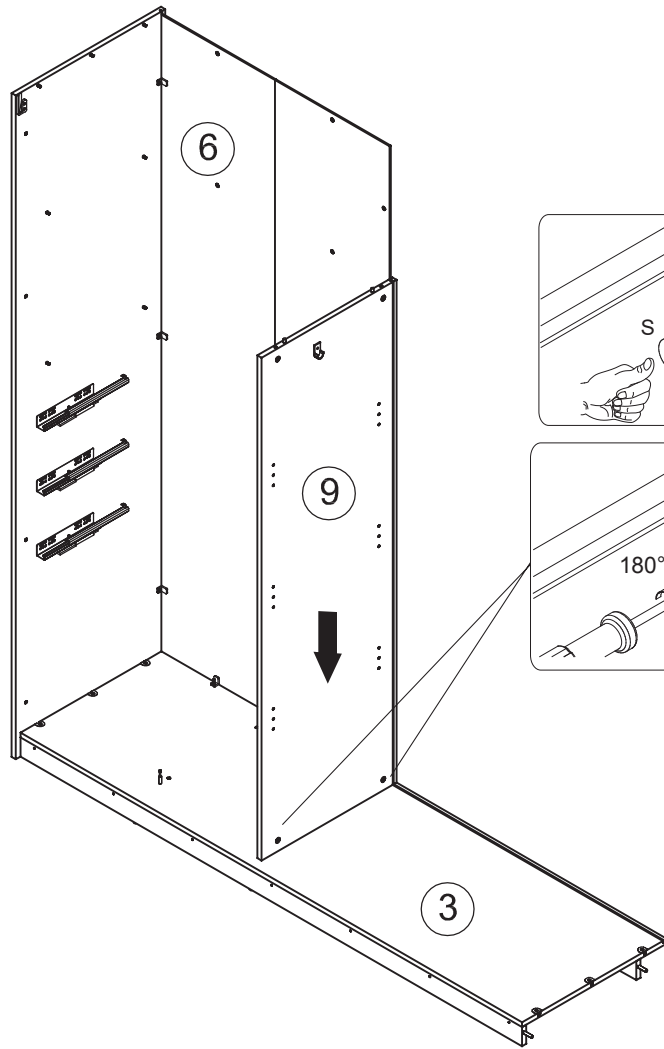


14

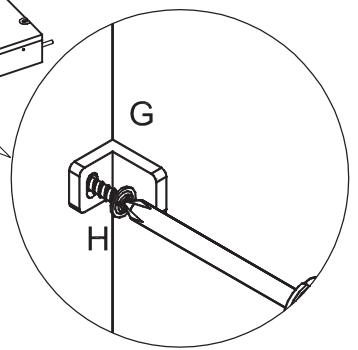
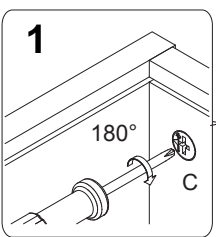
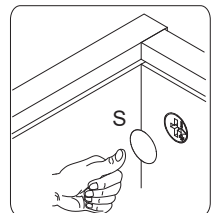
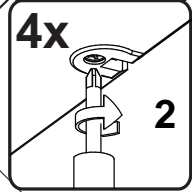
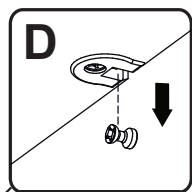
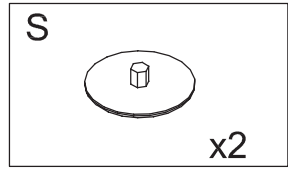
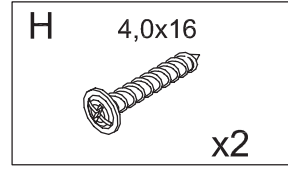
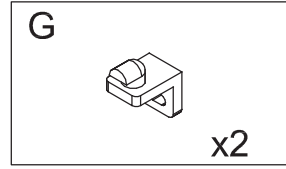
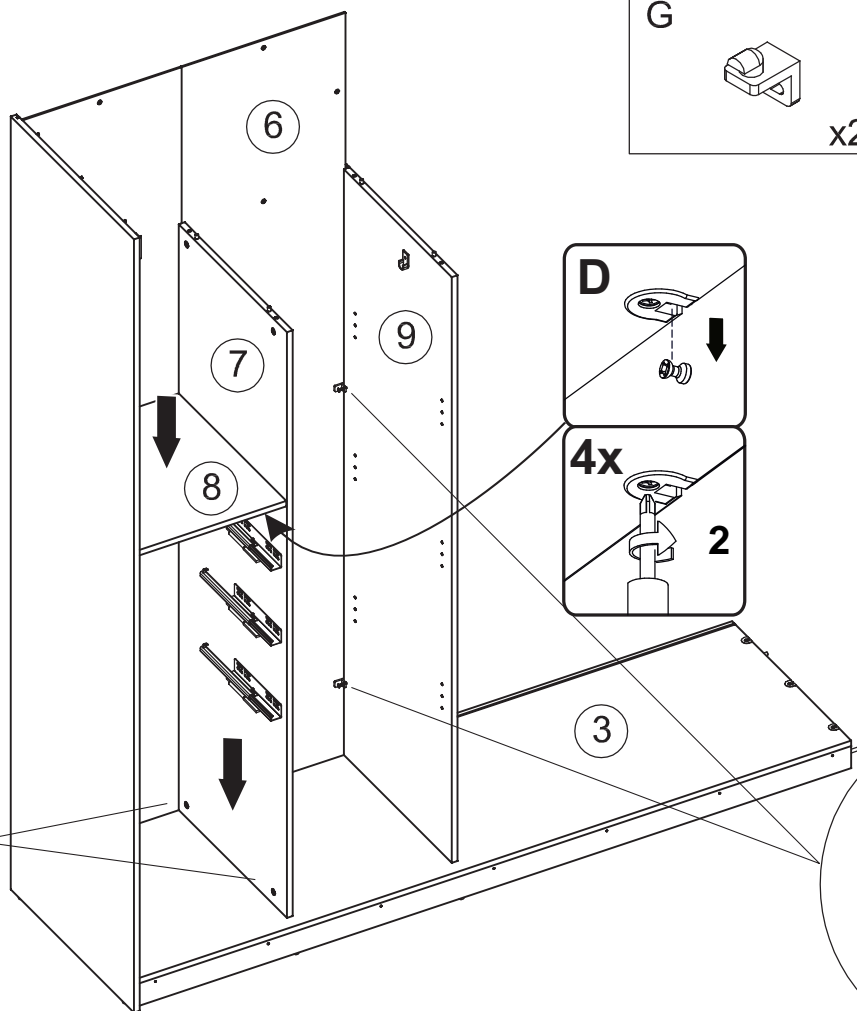
- G  x5
- H 4,0x16  x5



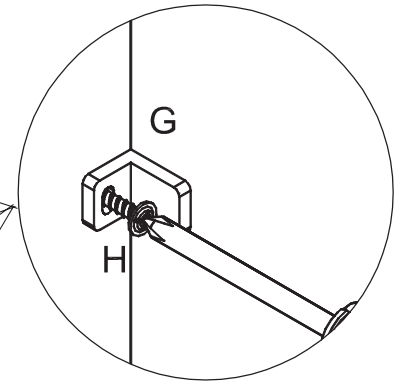
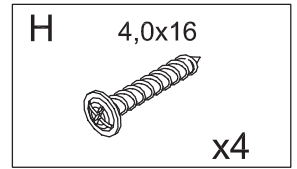
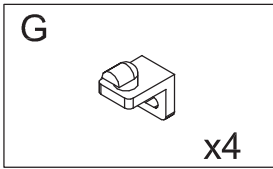
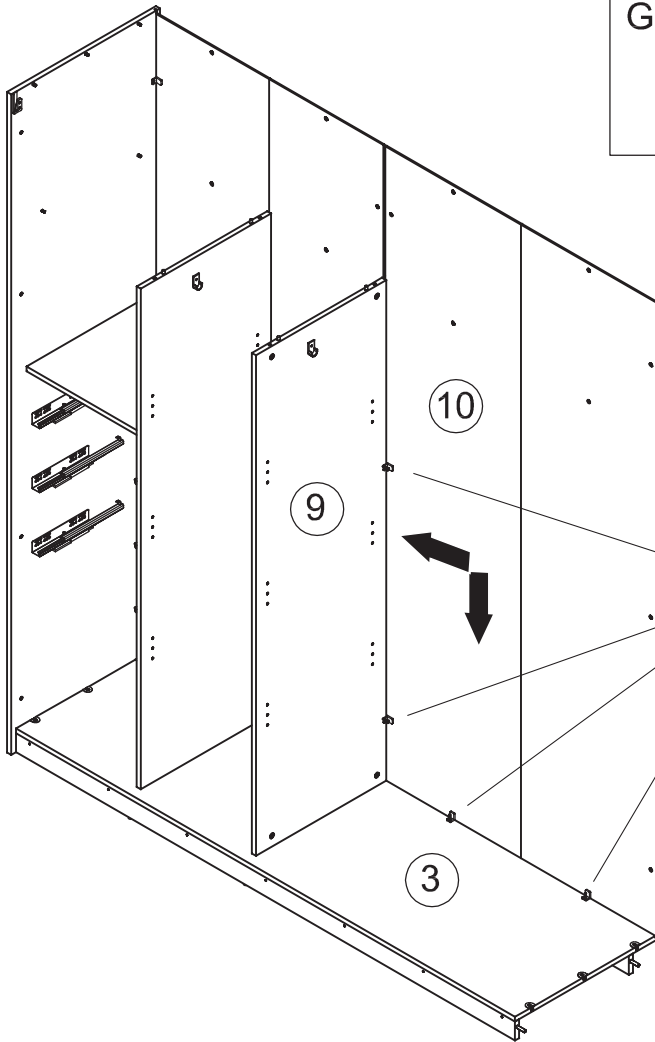
15



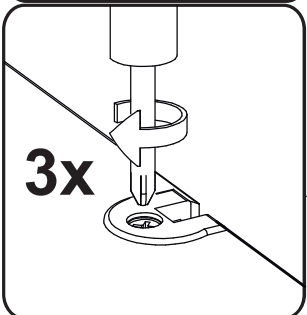
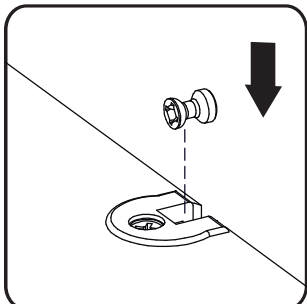
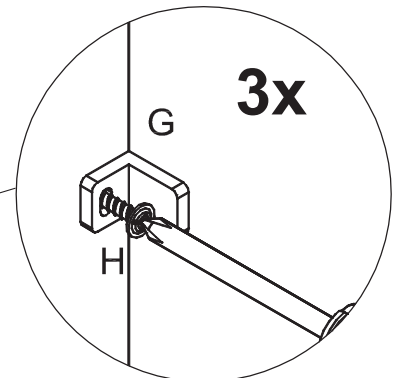
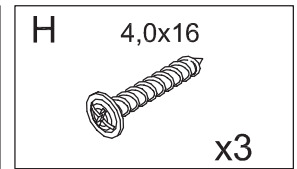
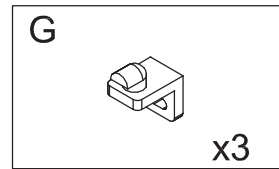
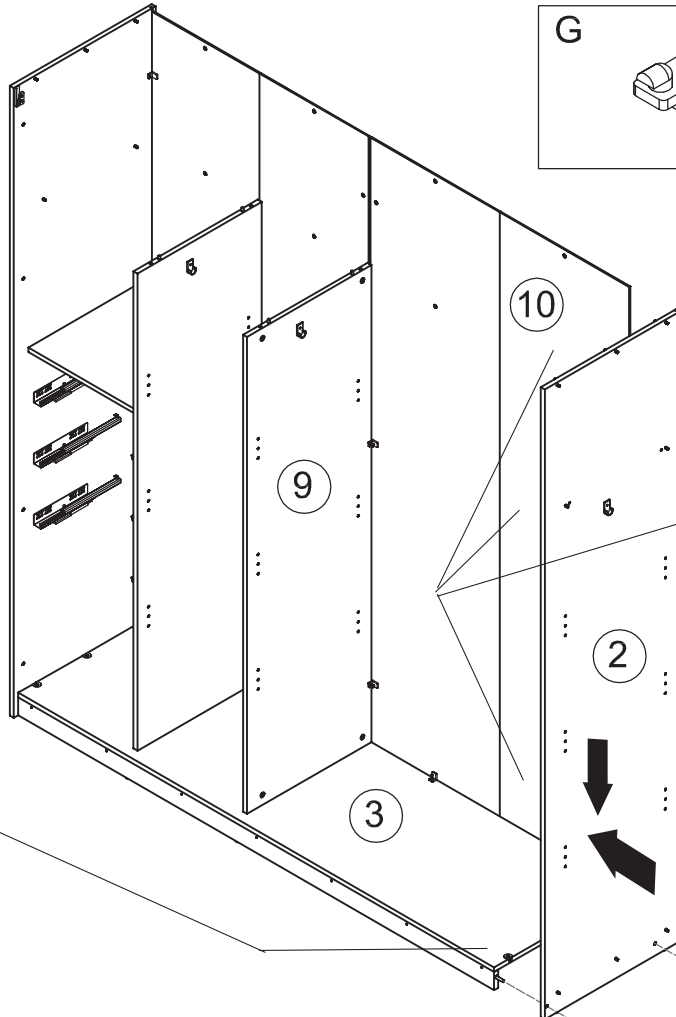
16



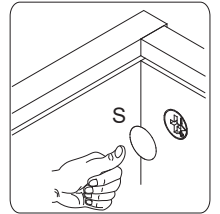
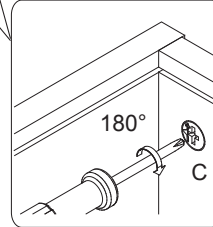
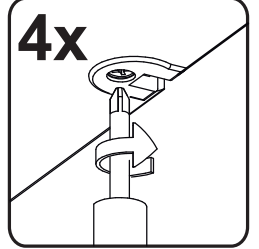
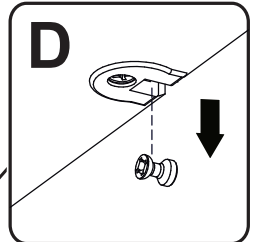
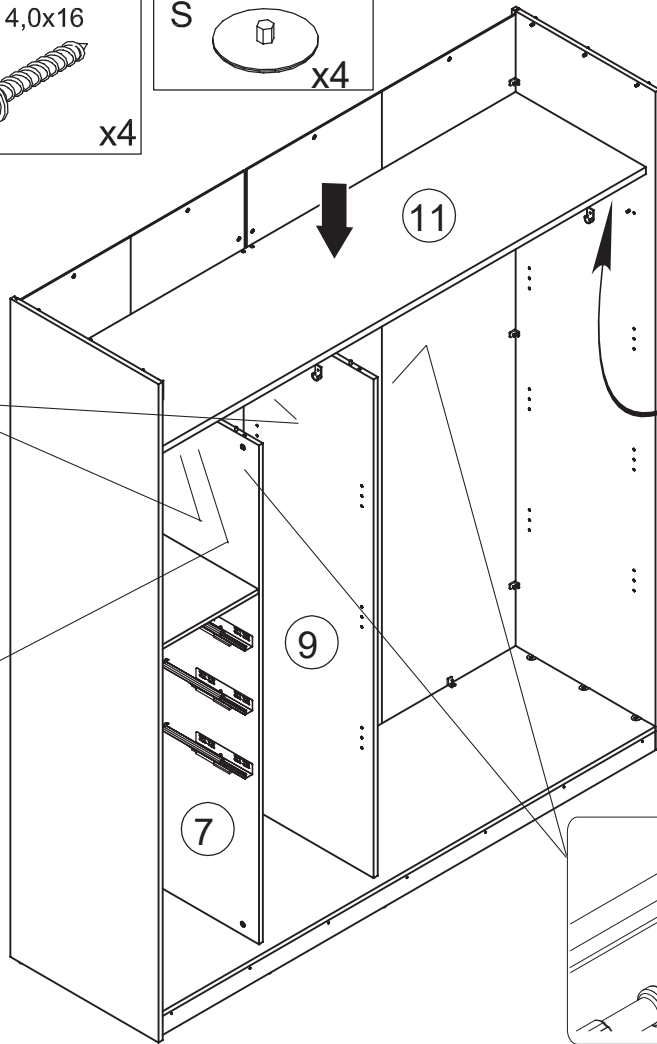
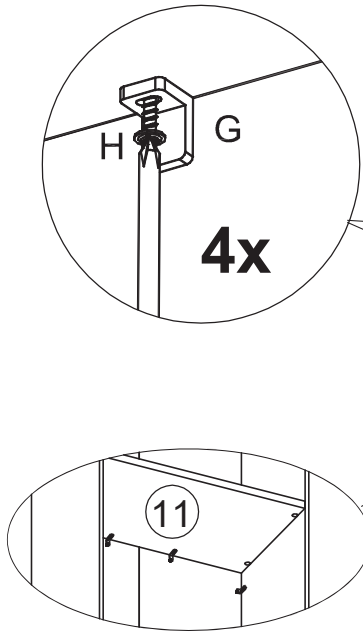
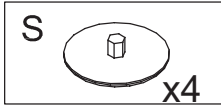
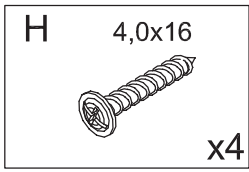
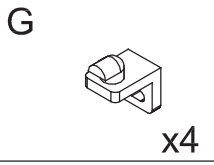
16



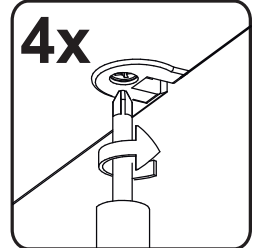
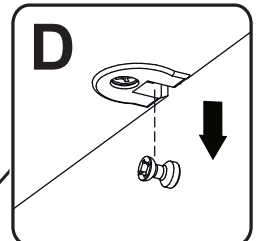
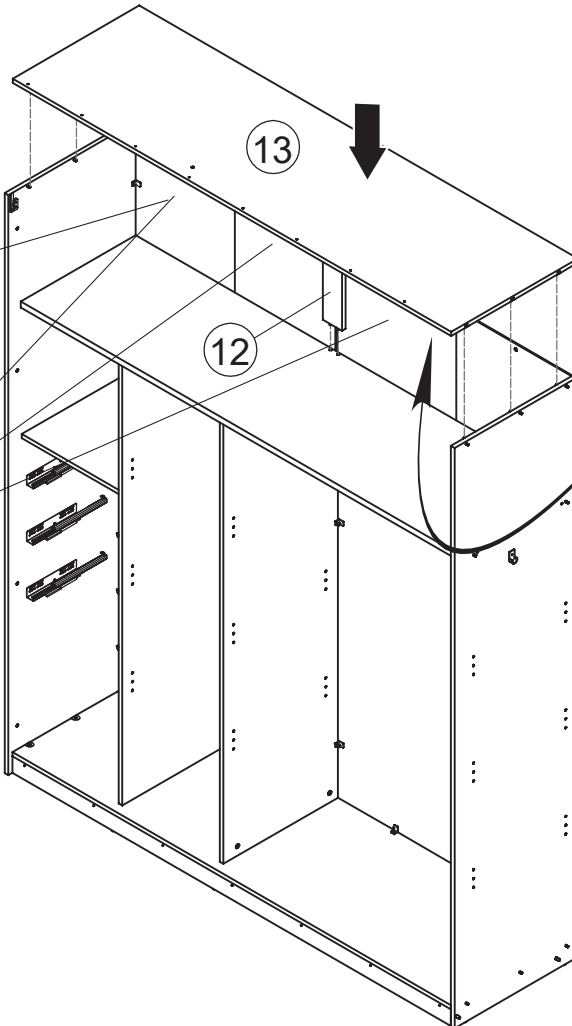
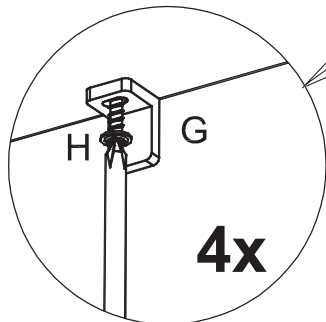
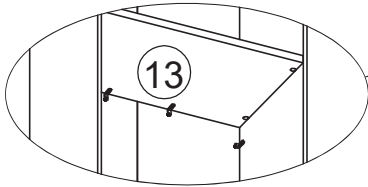
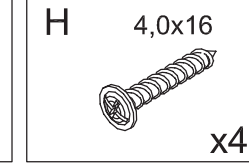
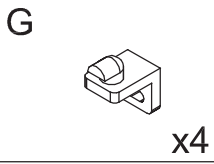
17



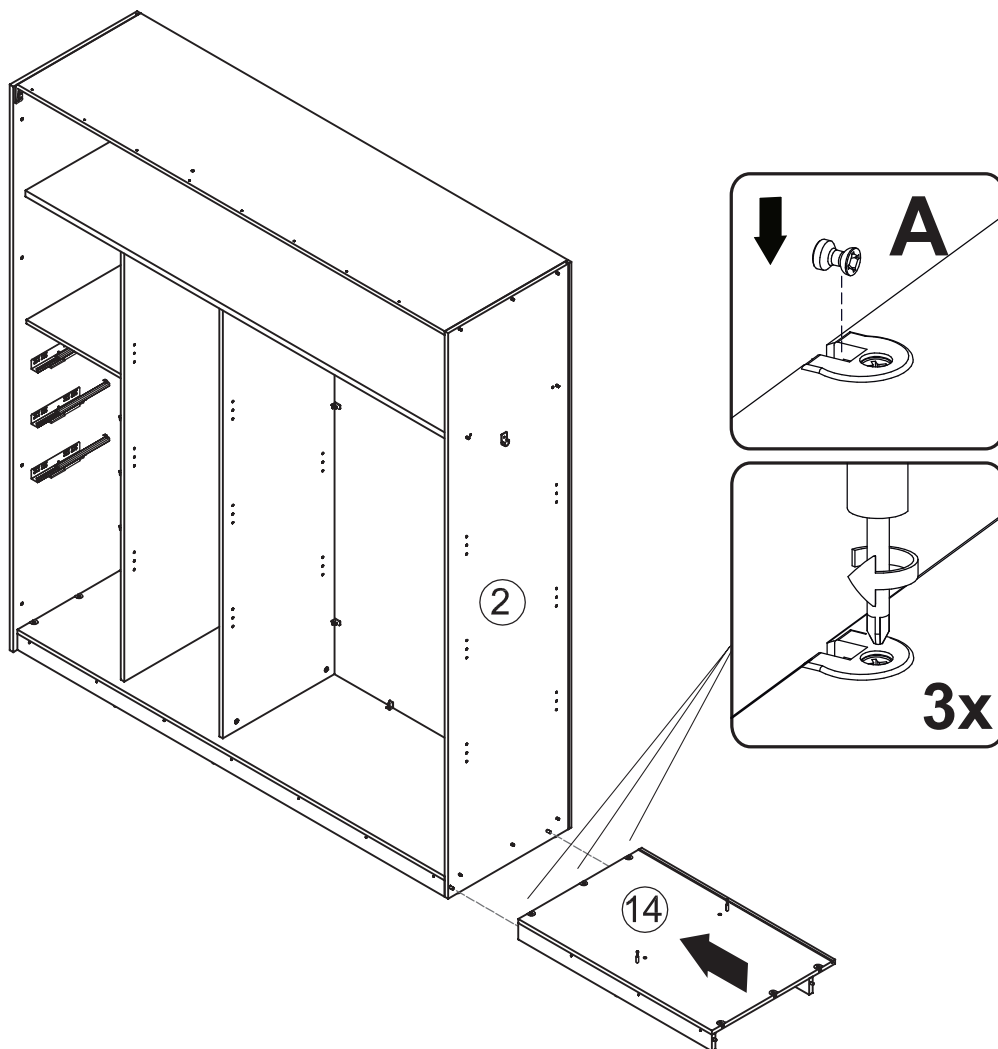
18



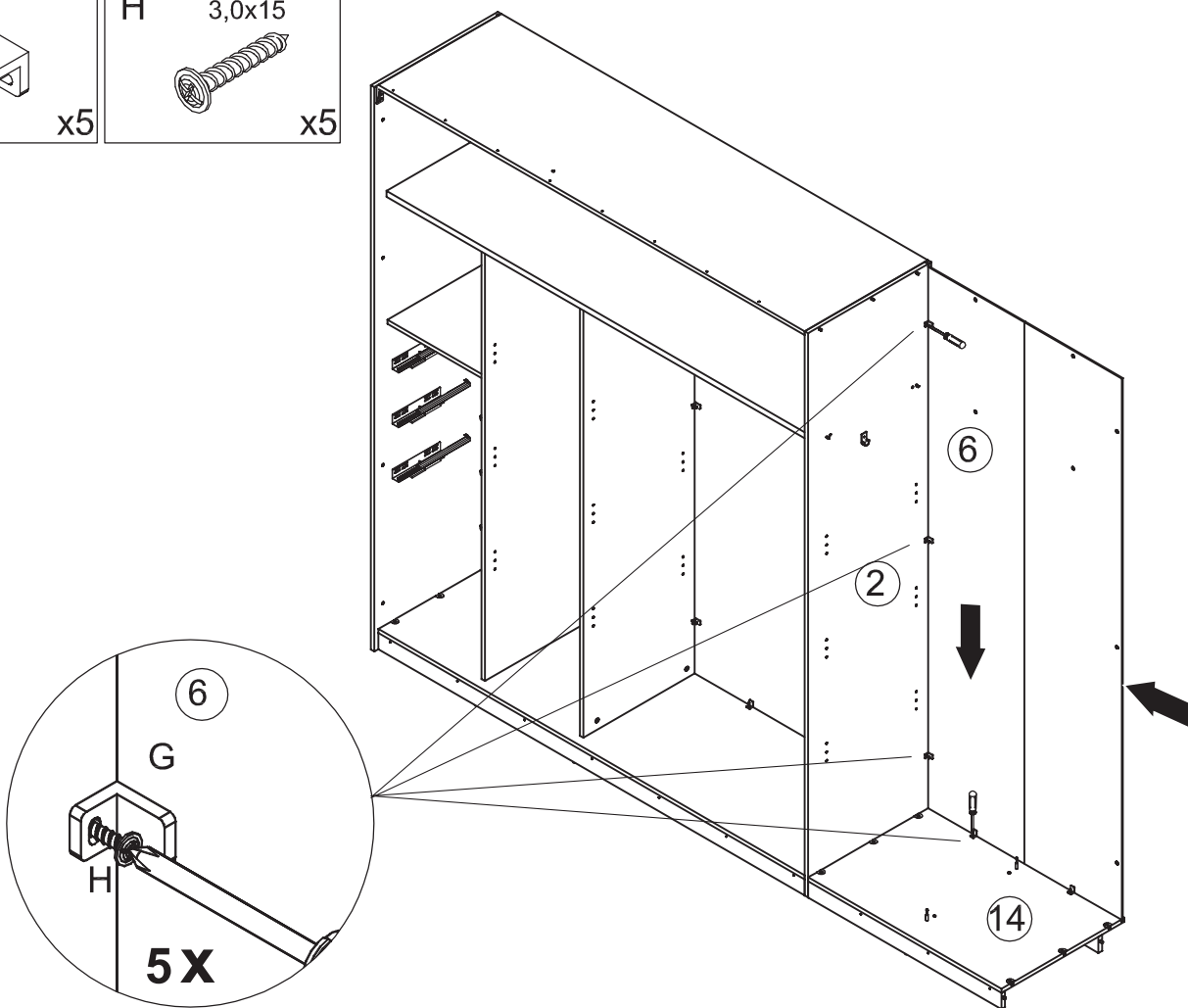
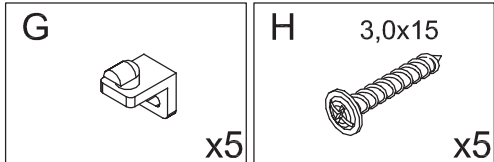
19



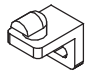
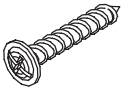
20

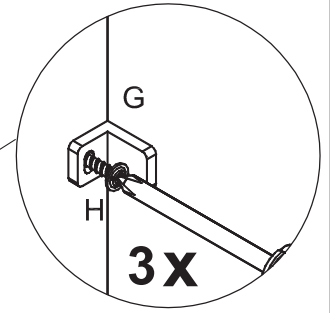
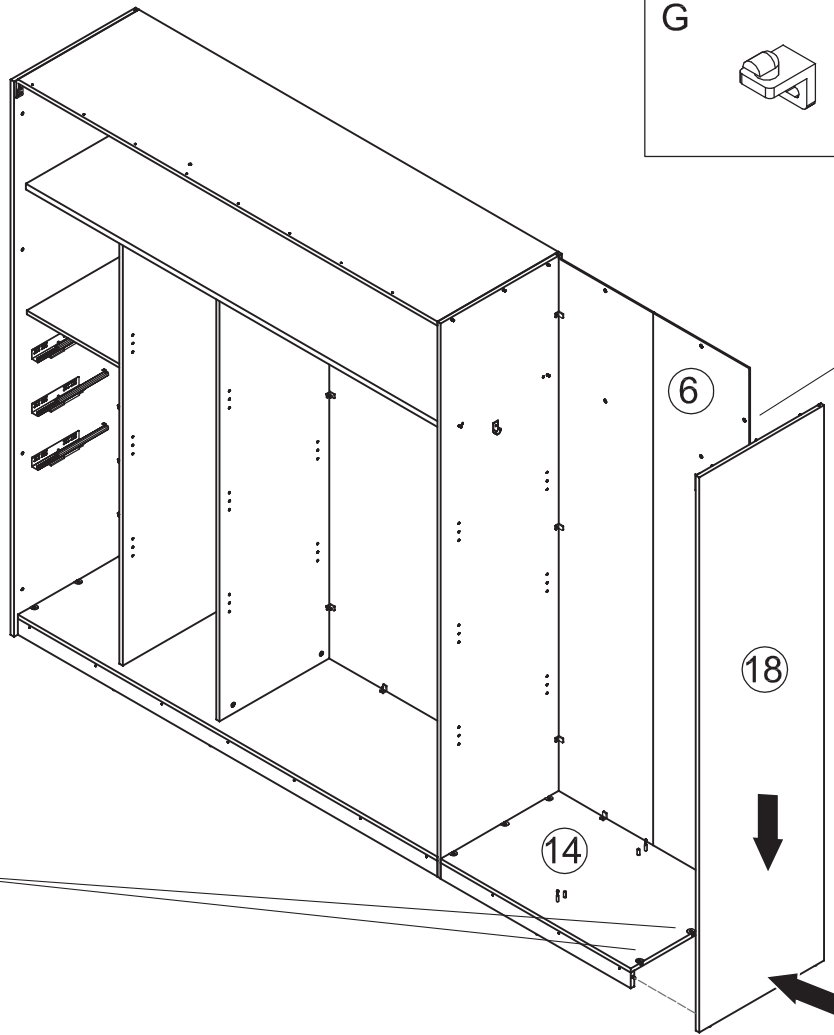
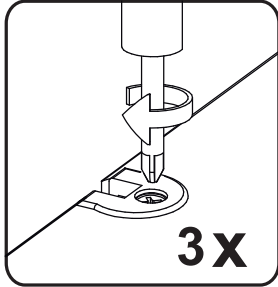
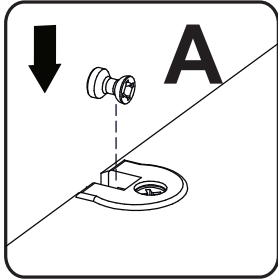


21




22

<p>G</p>  <p>x3</p>	<p>H 3,0x15</p>  <p>x3</p>
---	--

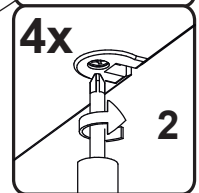
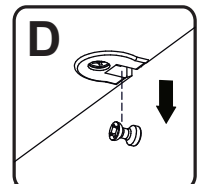
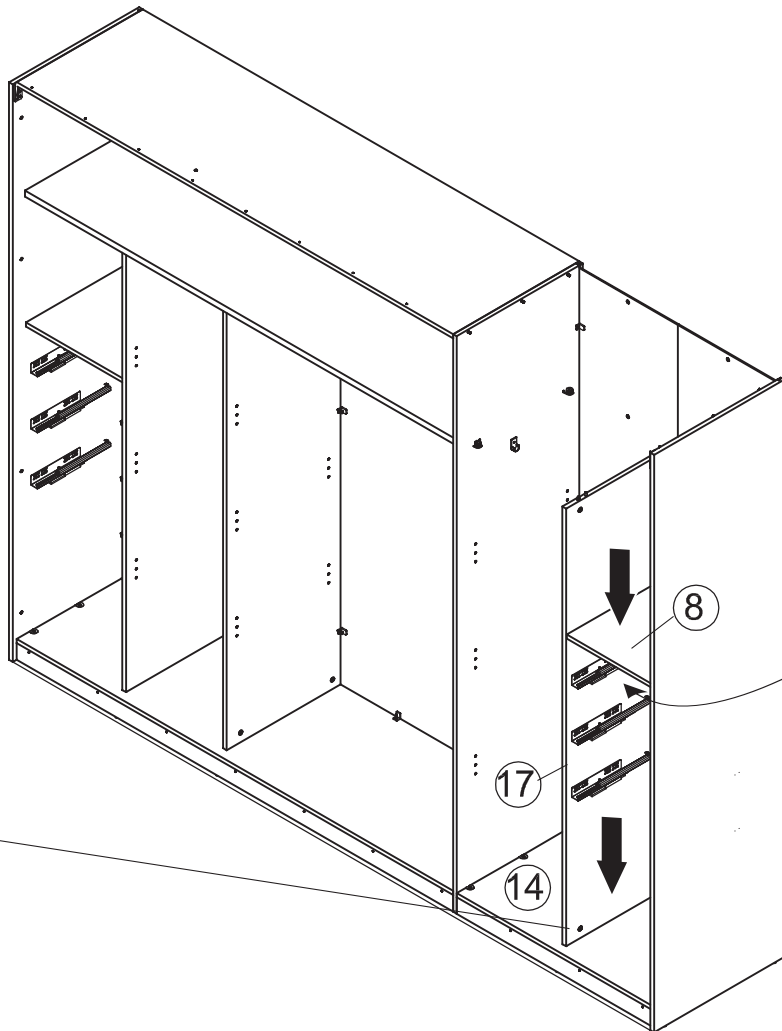
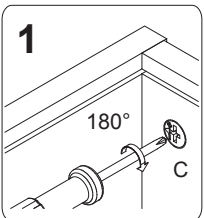
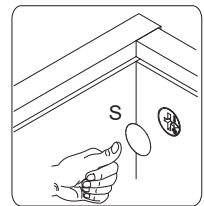


23

S

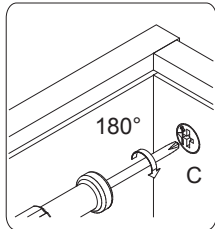
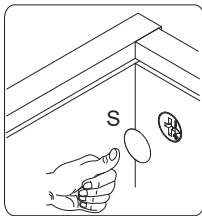
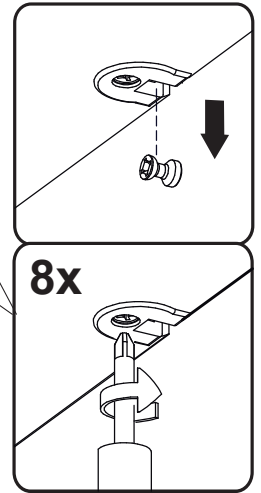
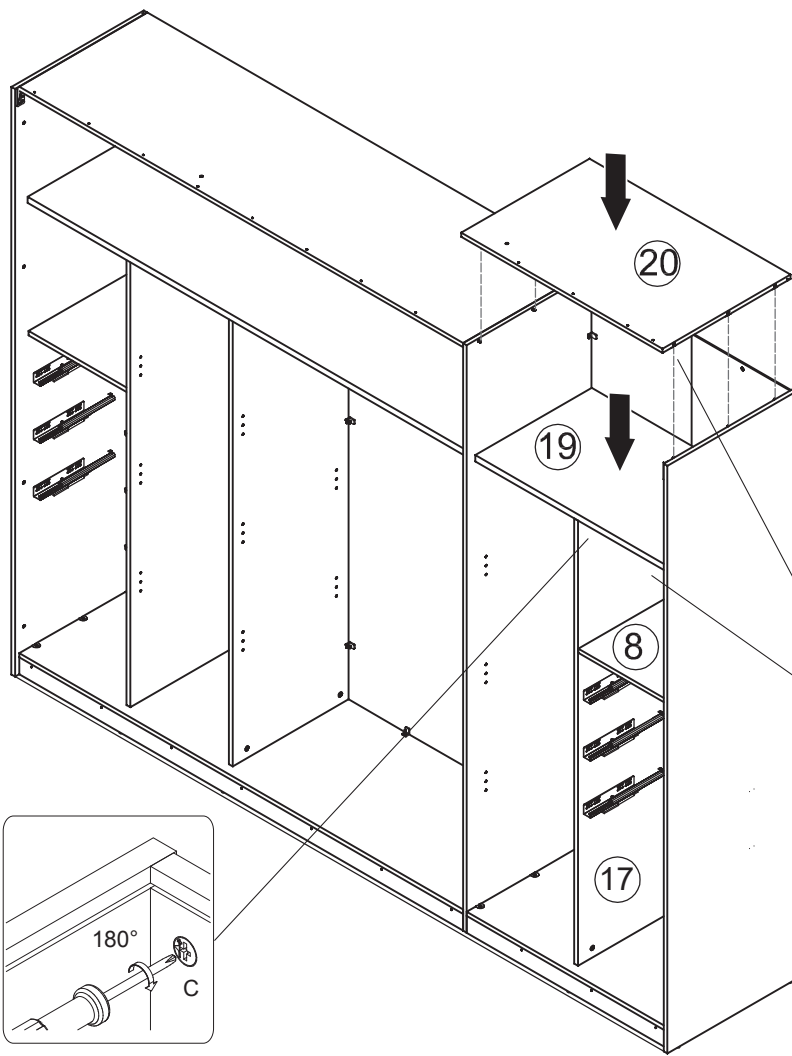
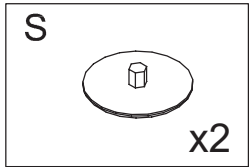


x2

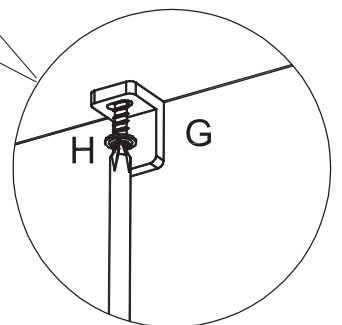
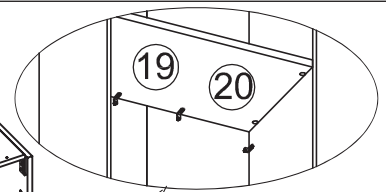
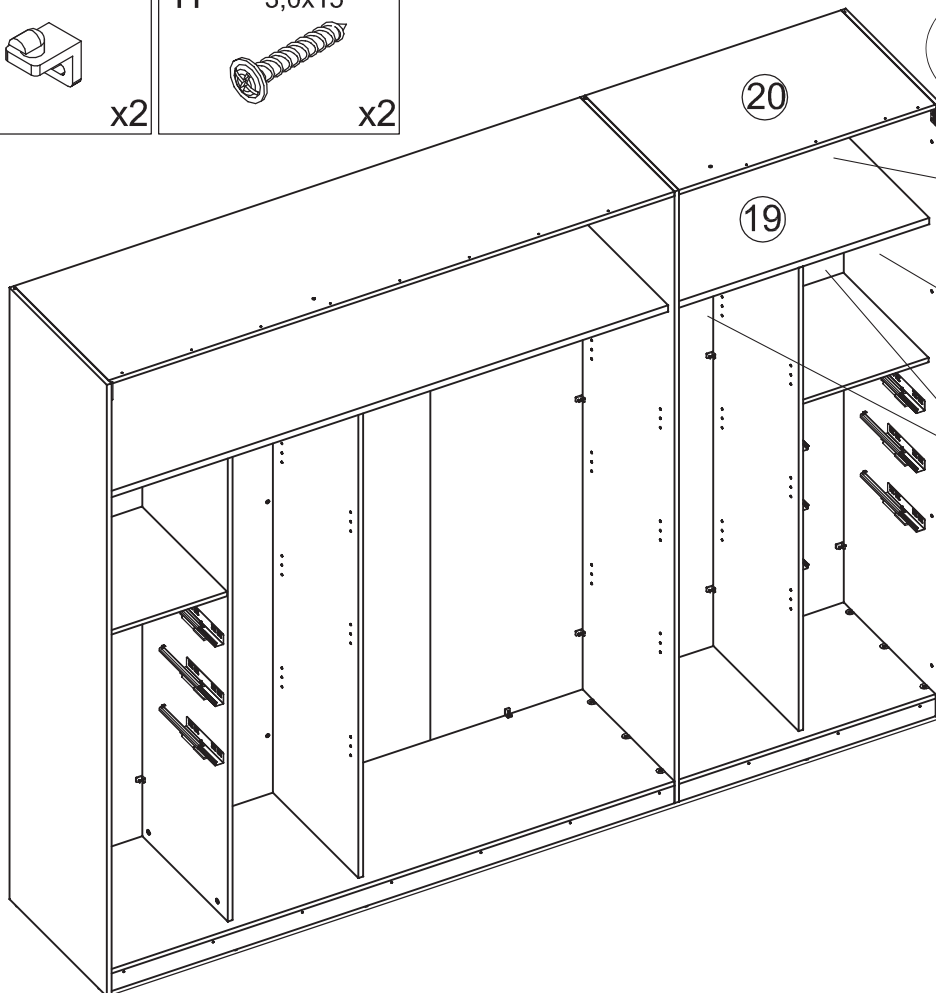
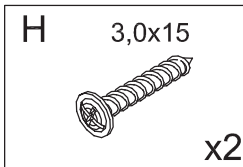
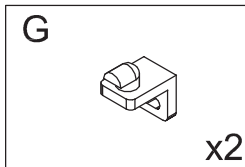


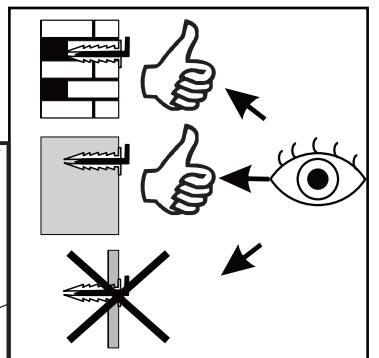
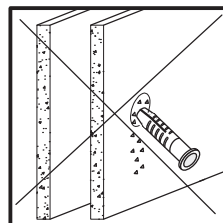
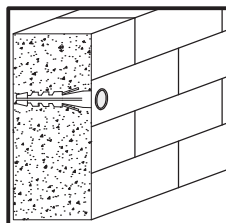
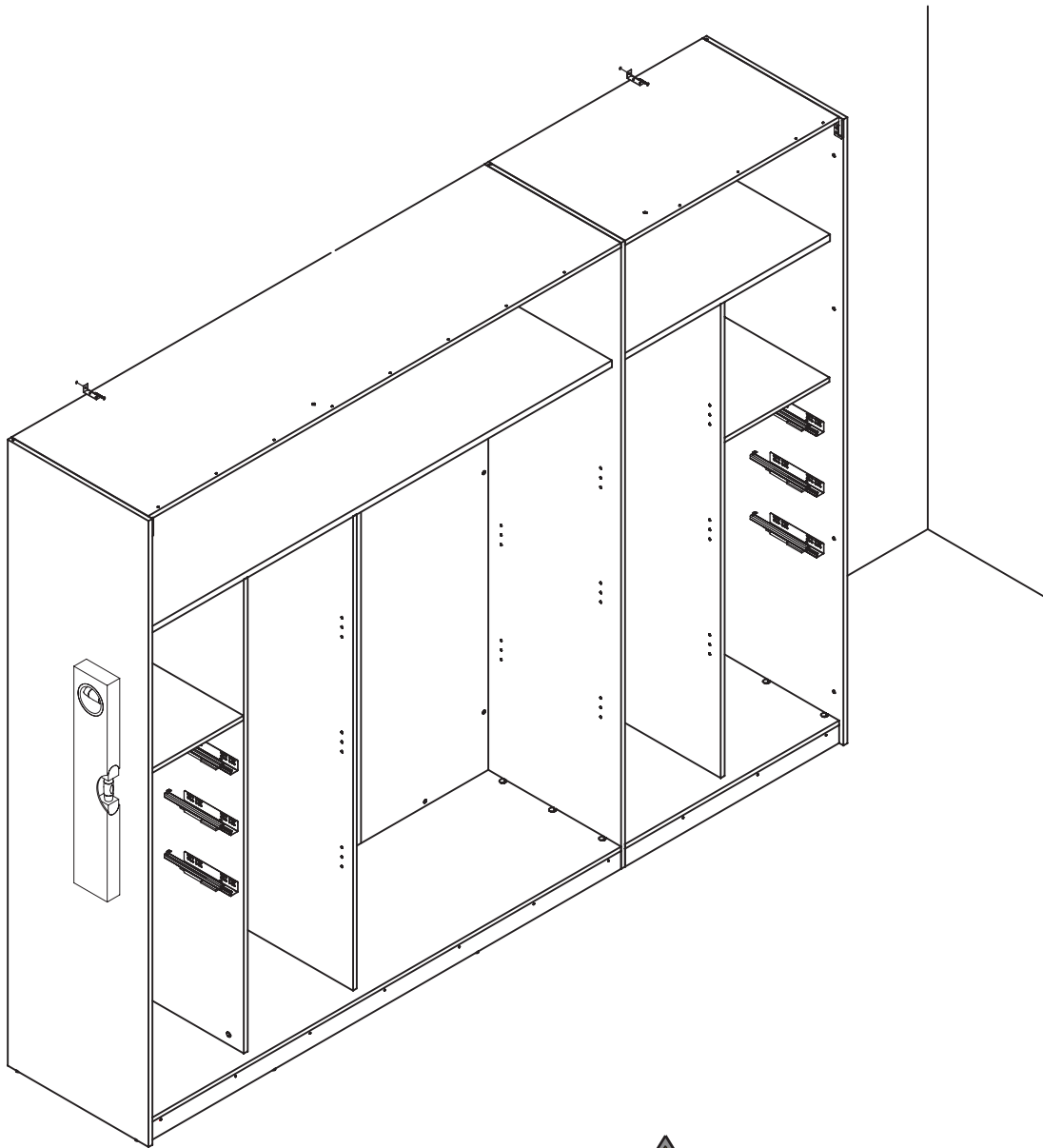
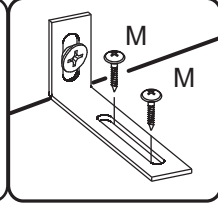
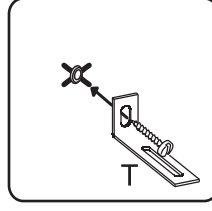
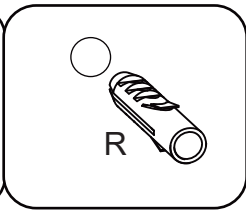
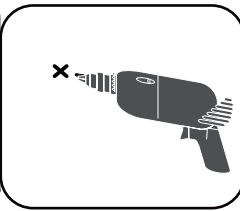
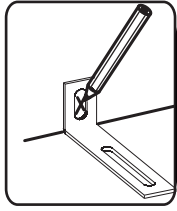
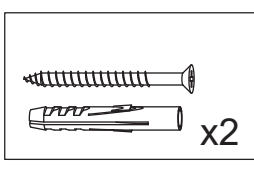
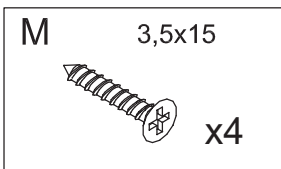
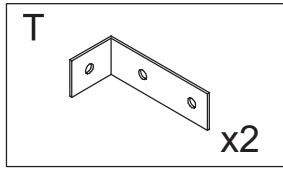


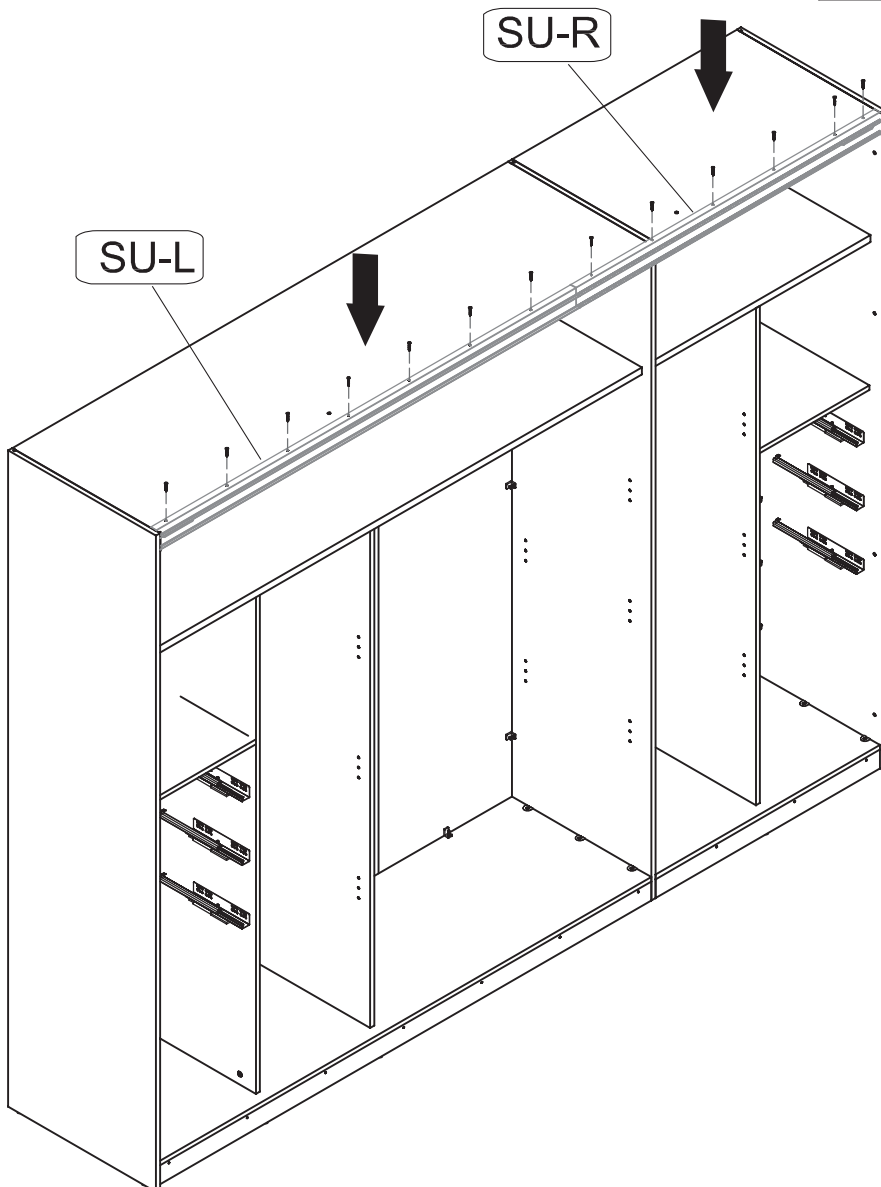
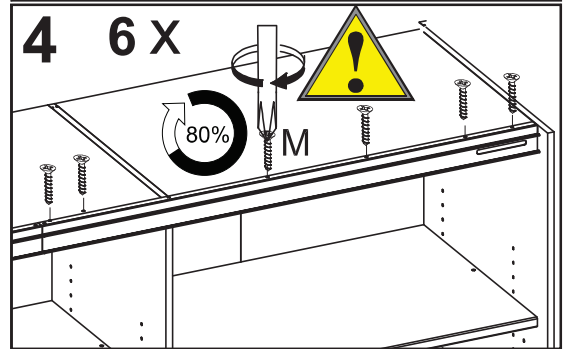
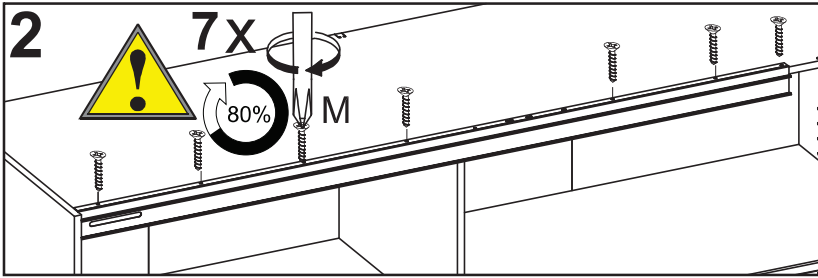
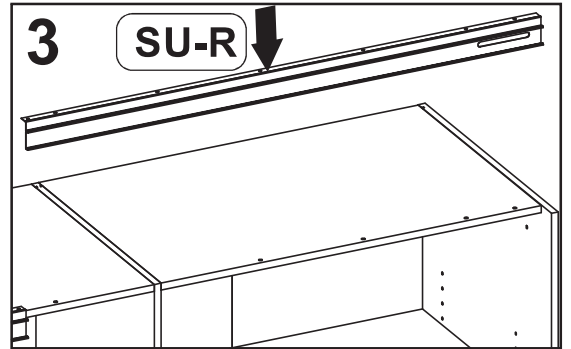
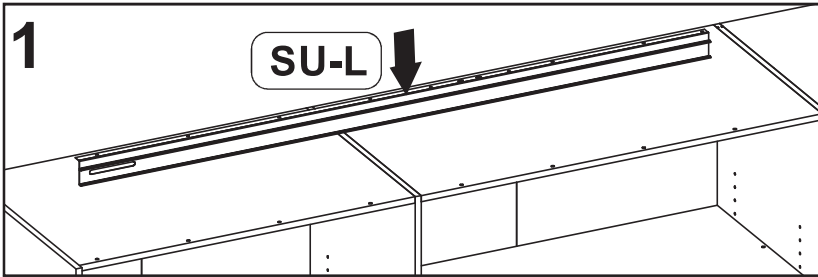
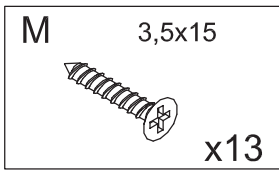
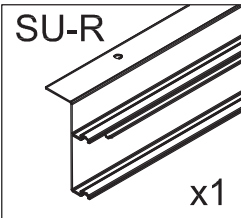
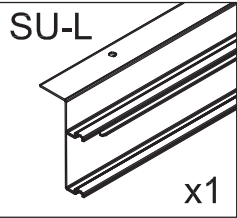
24

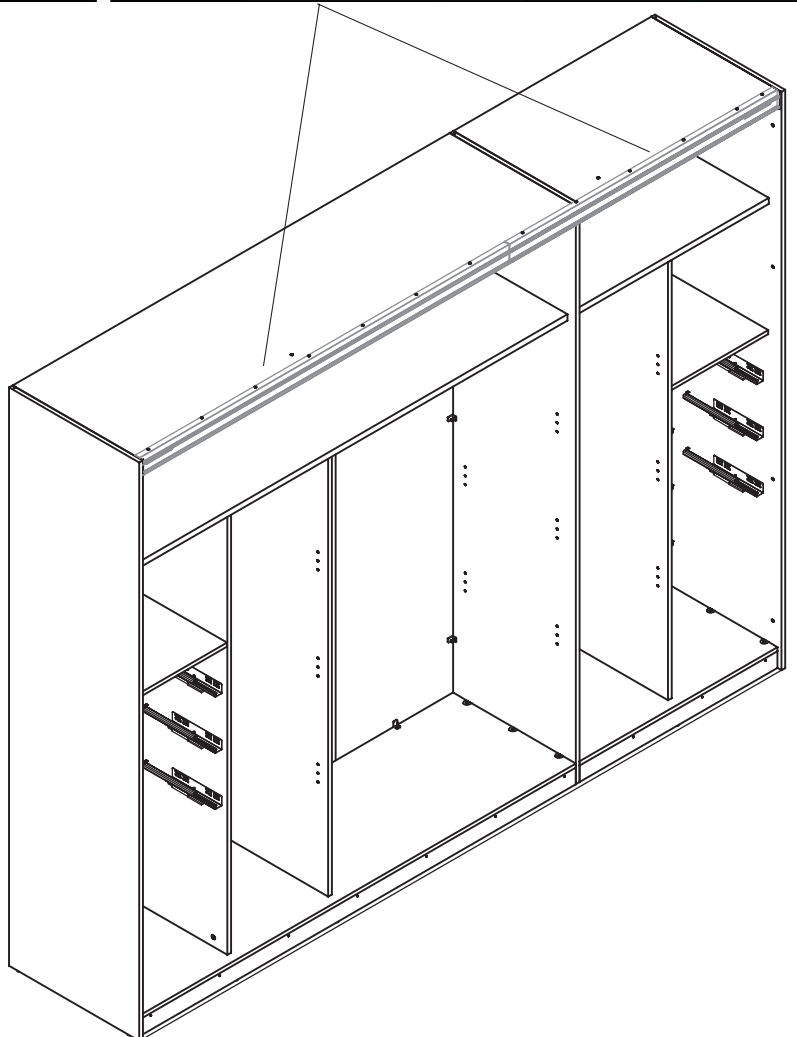
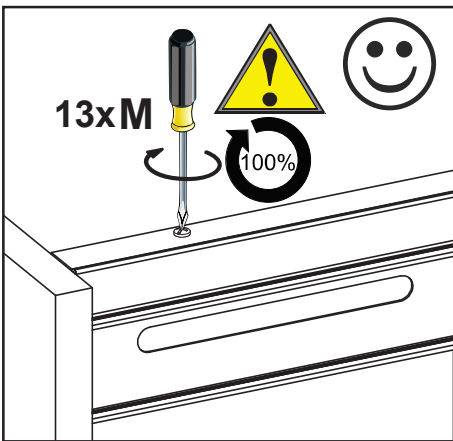
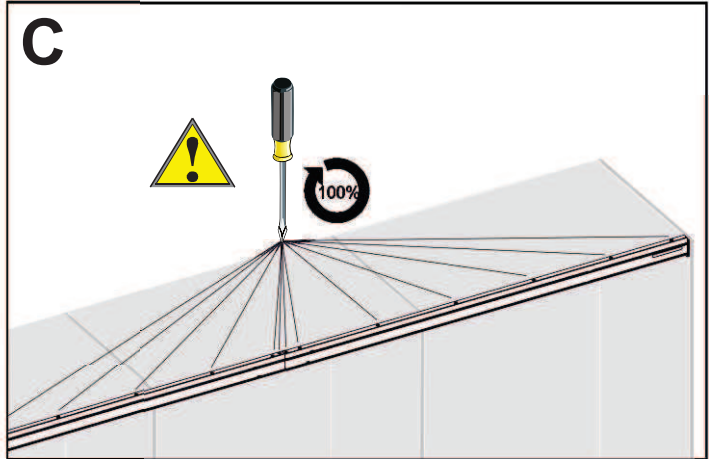
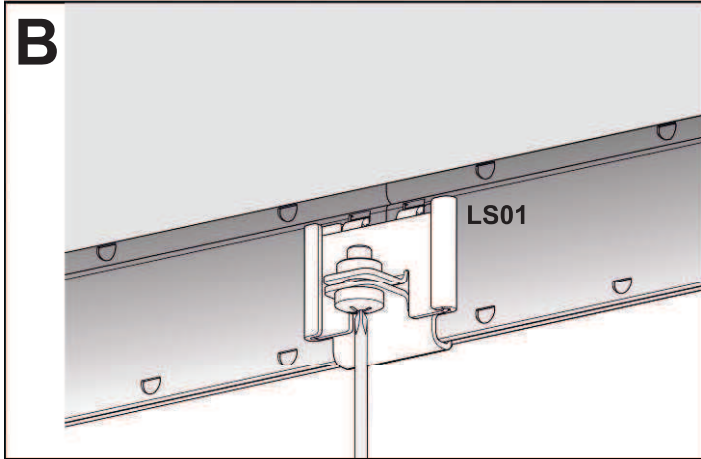
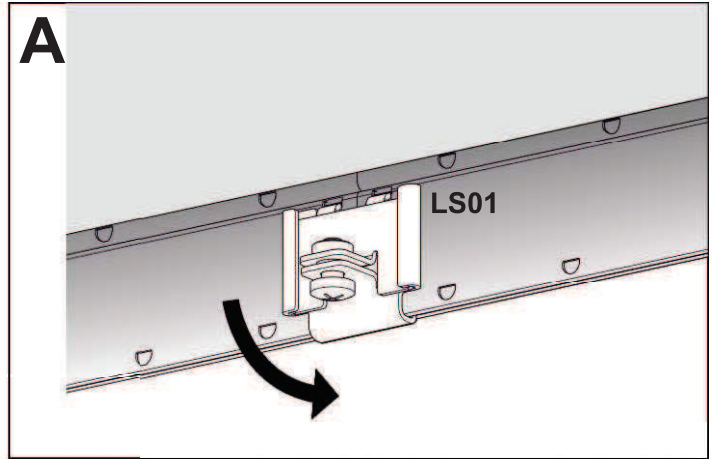
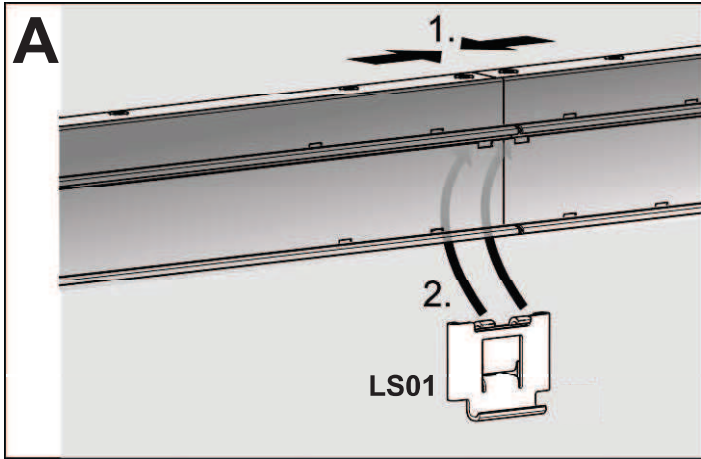
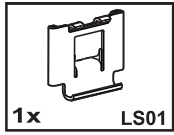


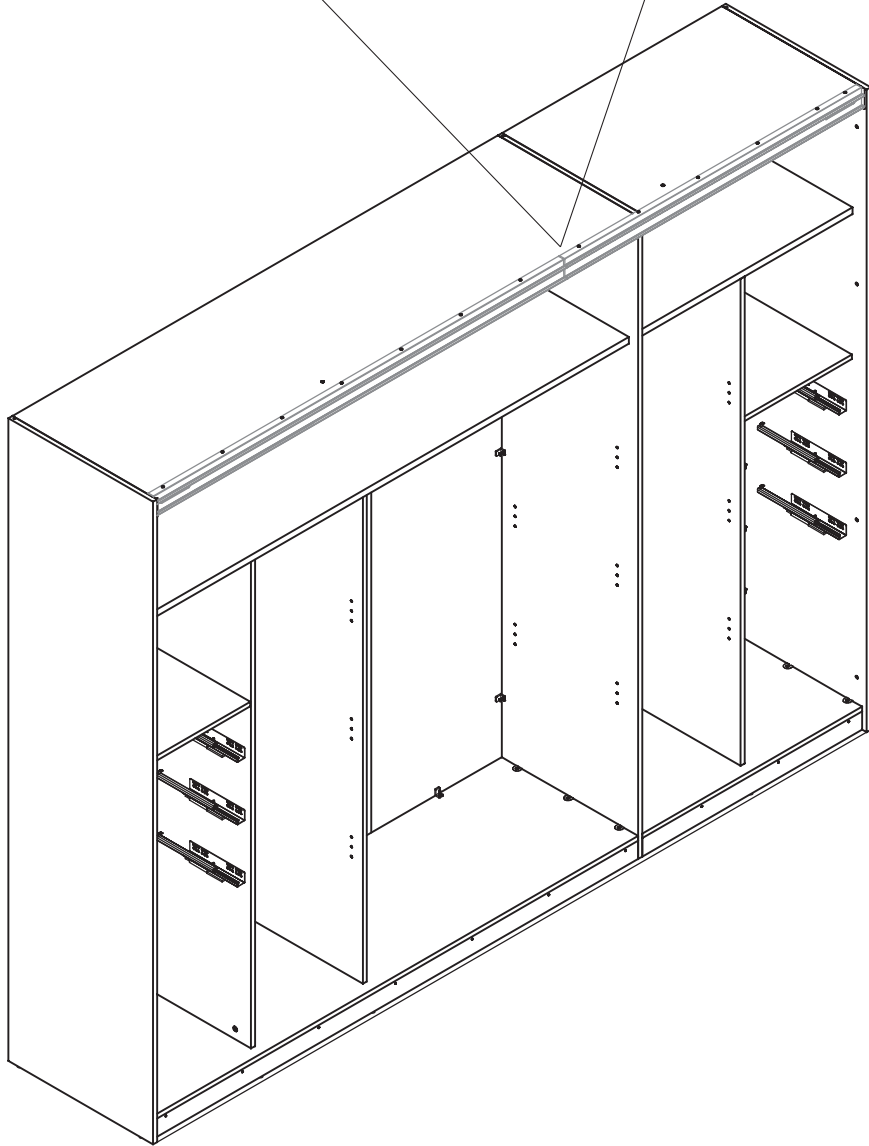
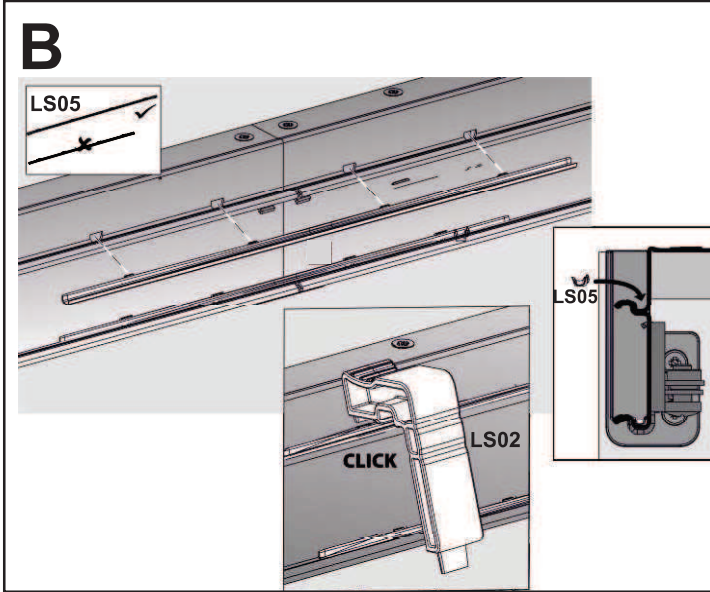
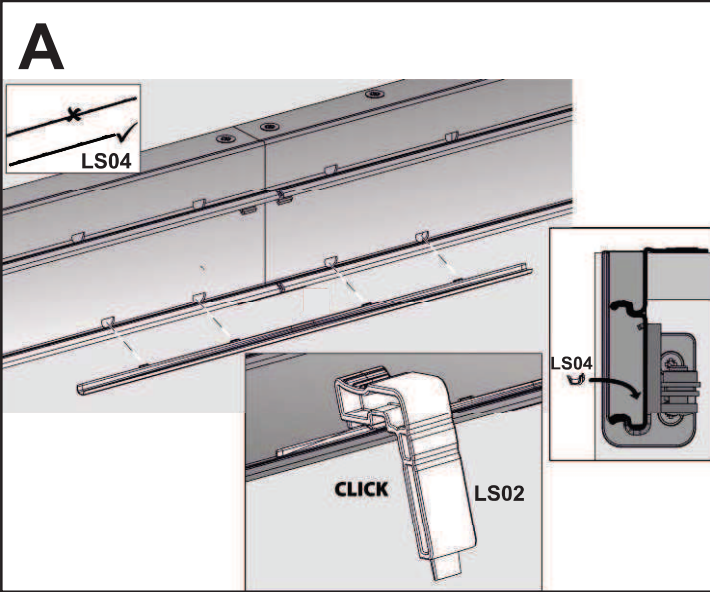
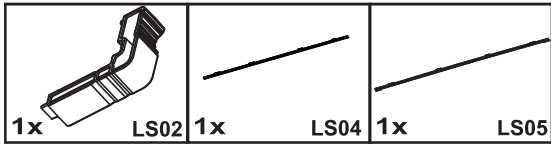
25

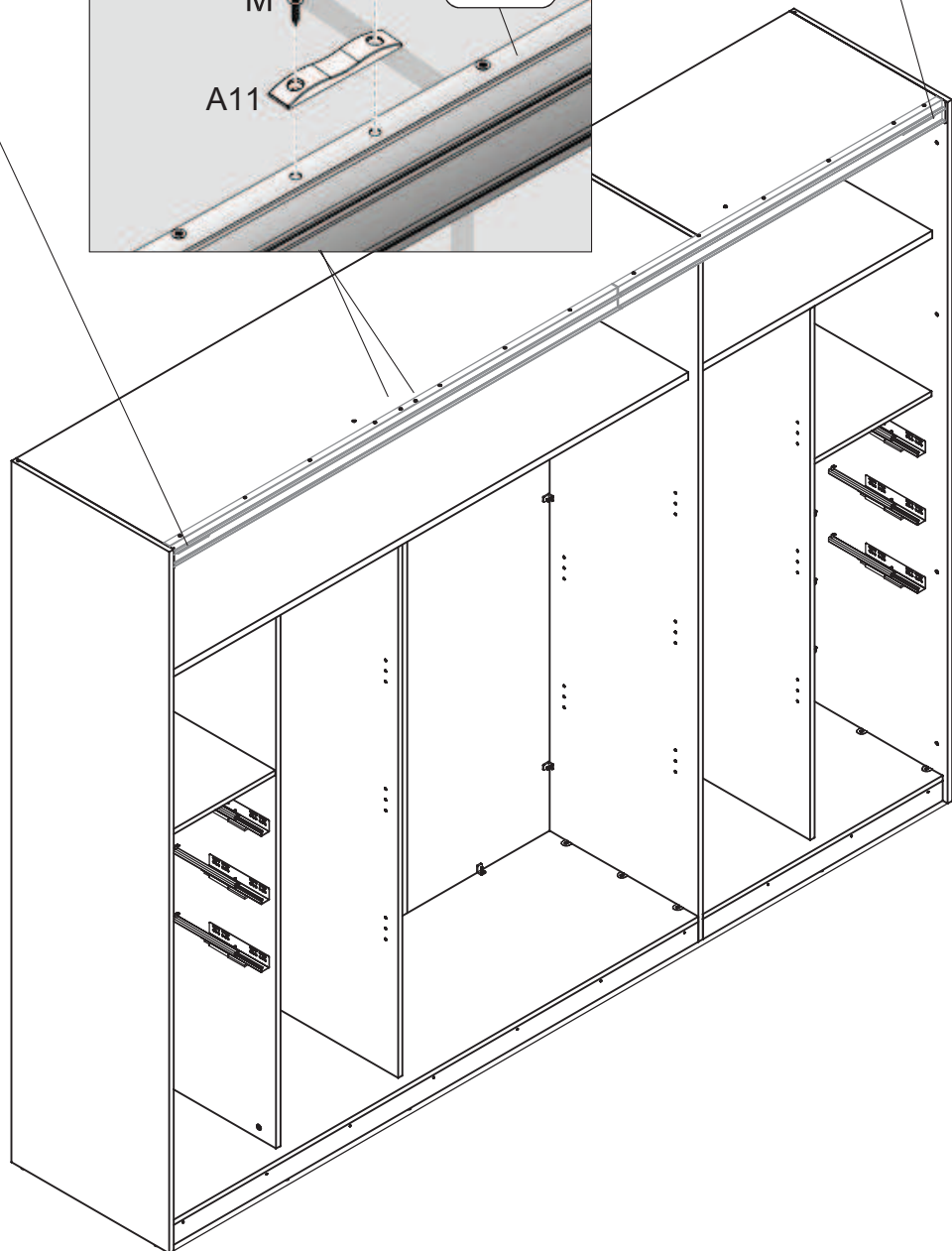
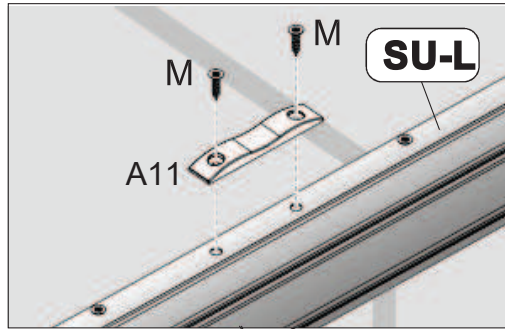
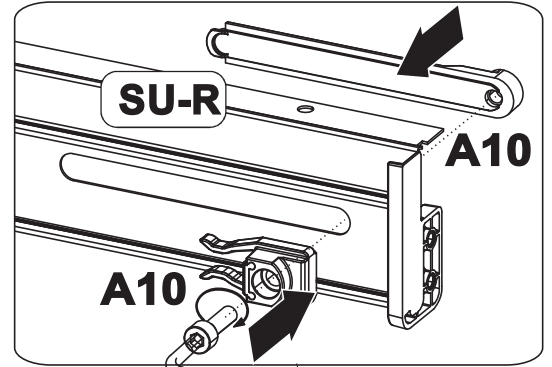
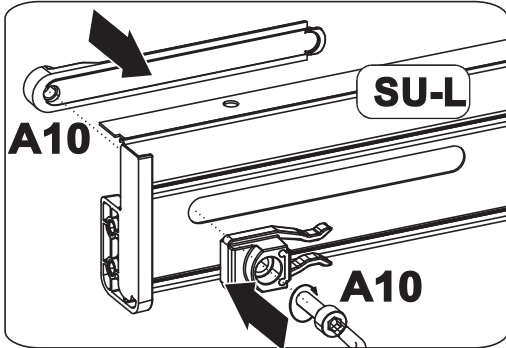
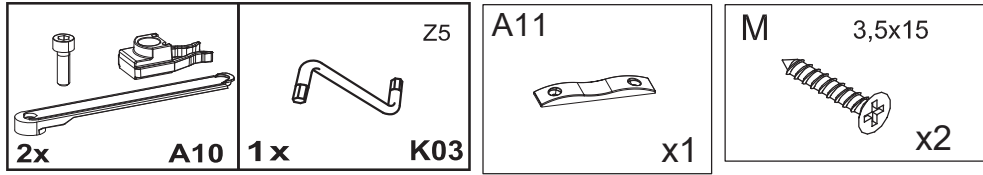


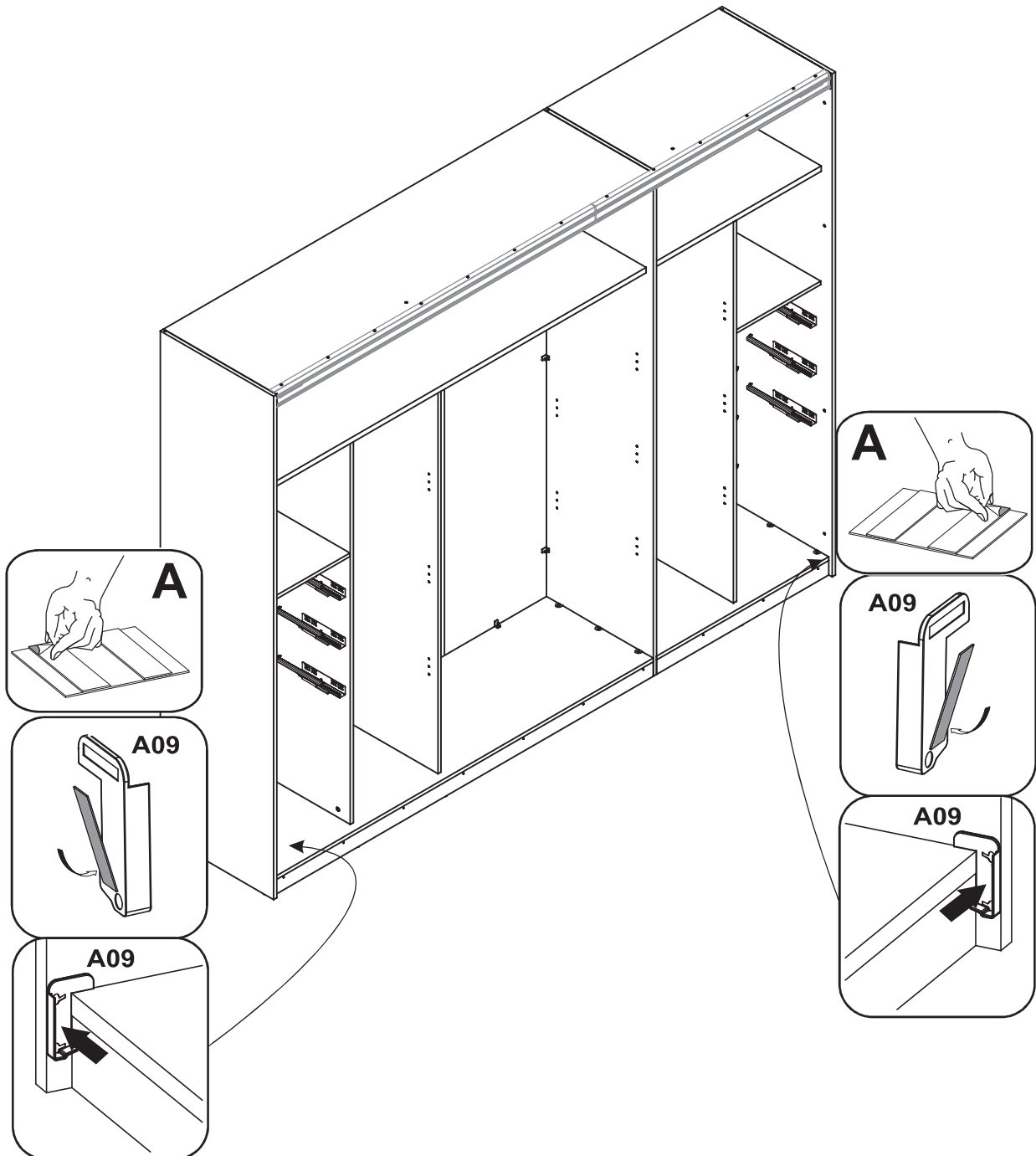
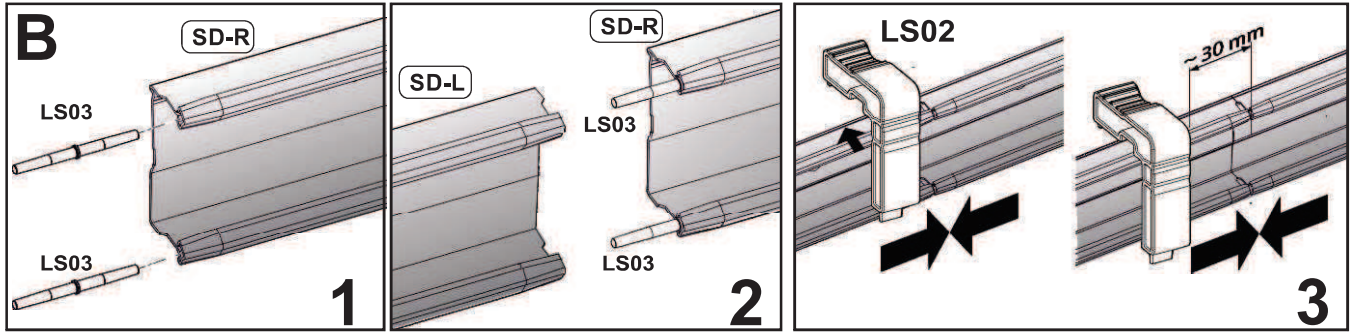
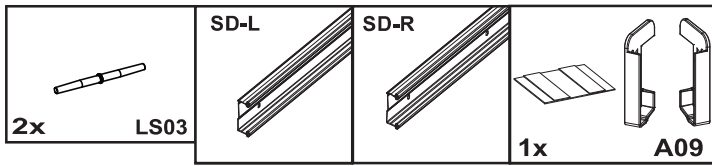




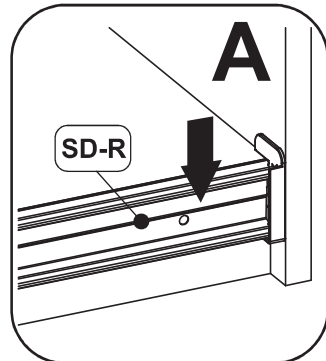
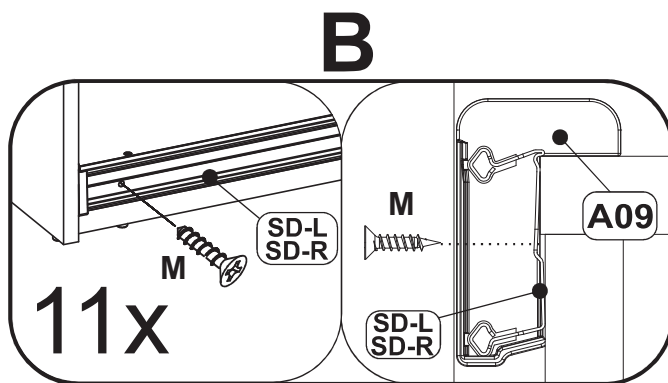
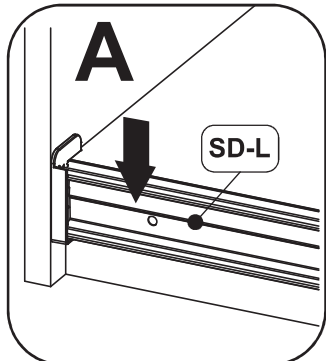
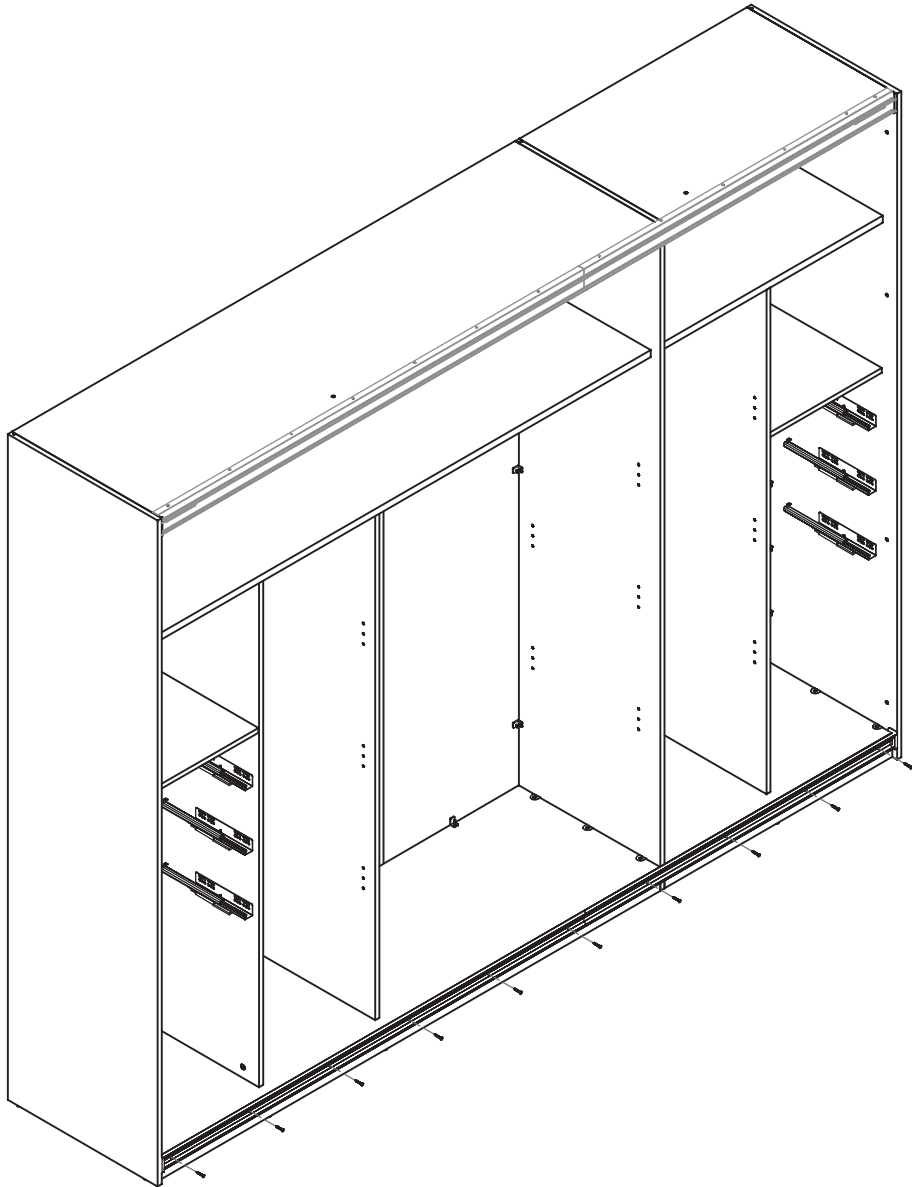
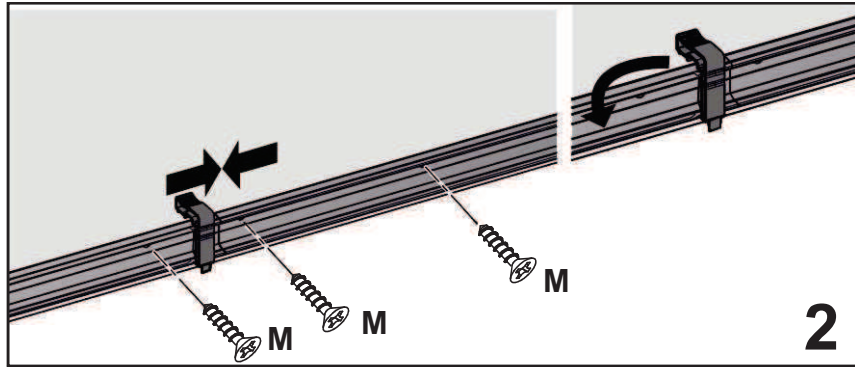
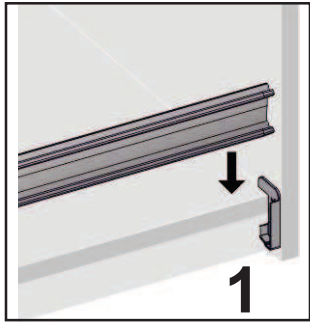




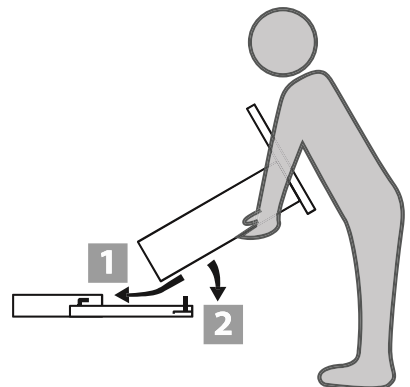
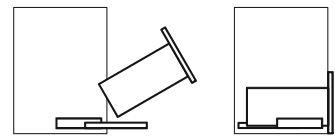
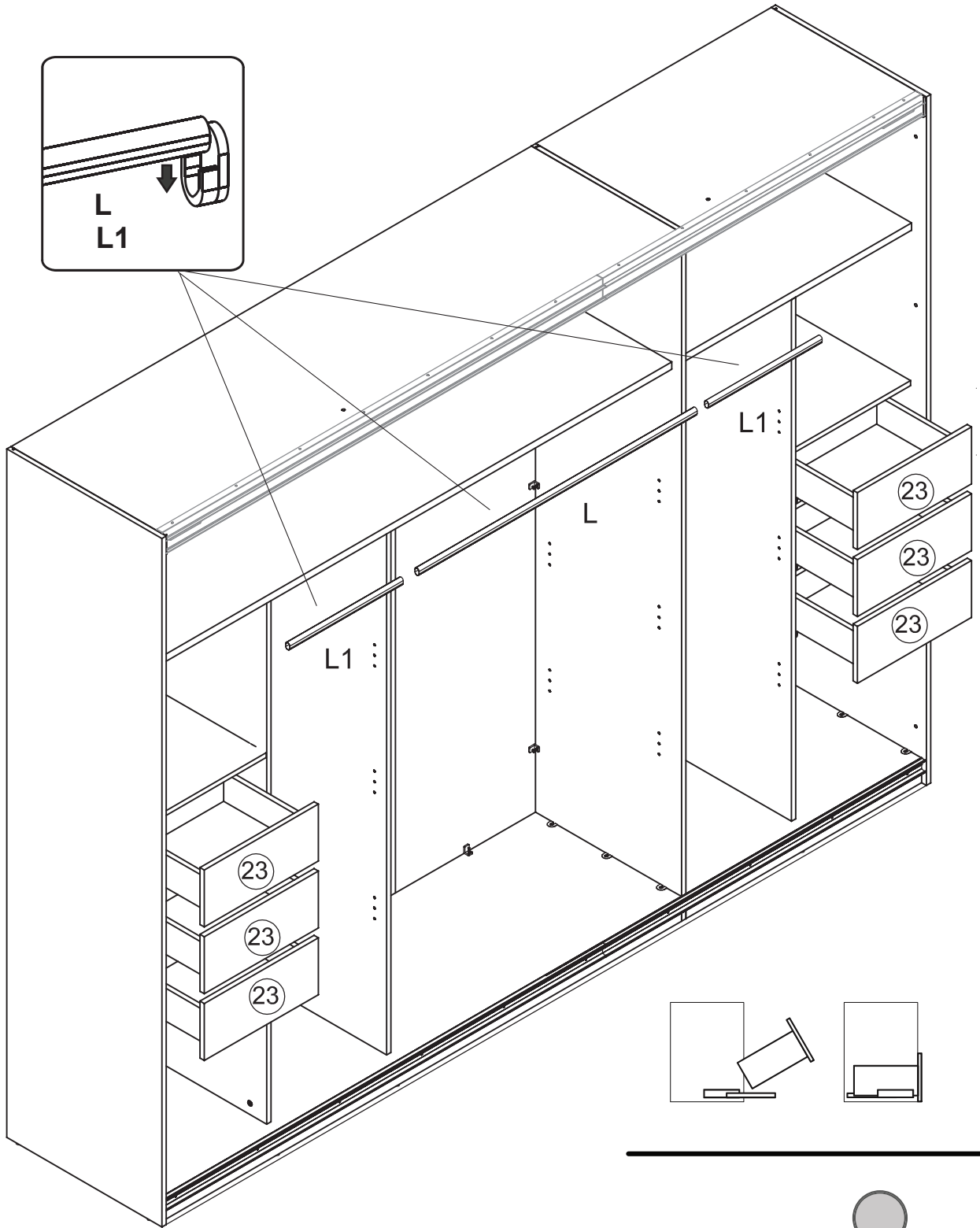
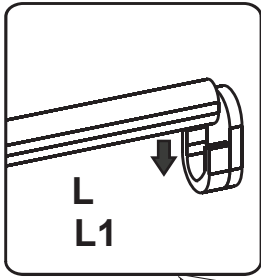
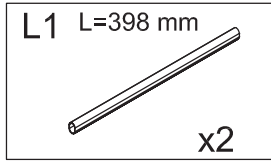
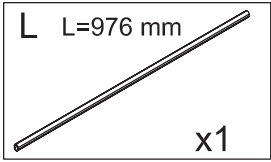




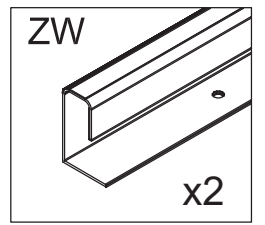
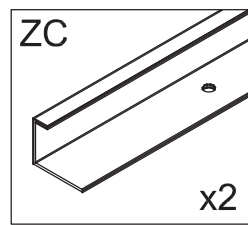
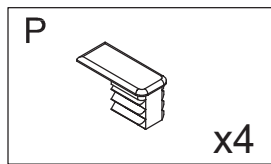
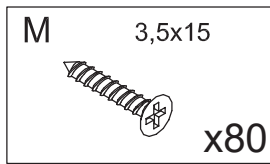
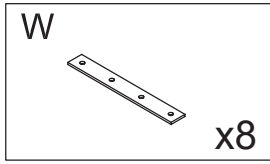
- M 3,5x15
- 11x
- 1x LS02



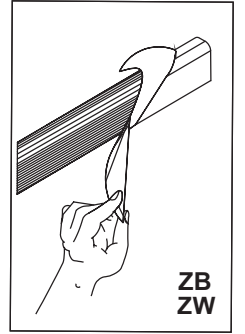
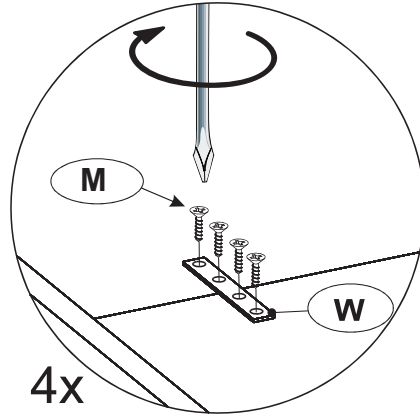




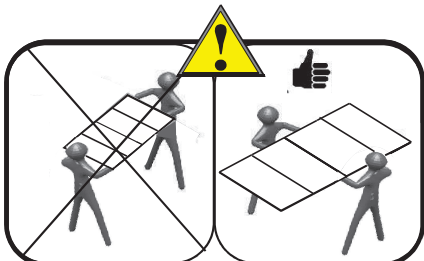
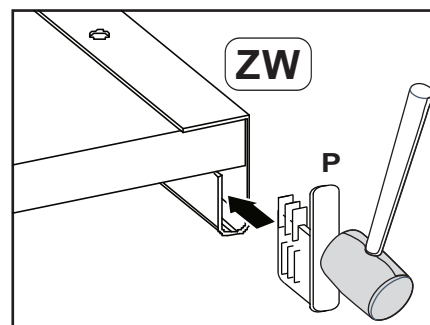
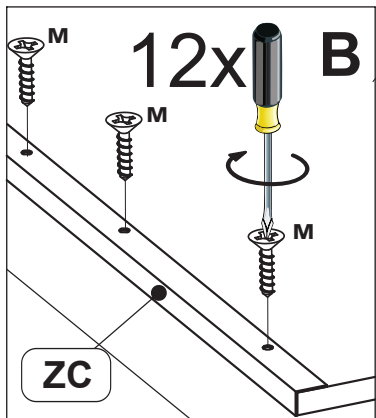
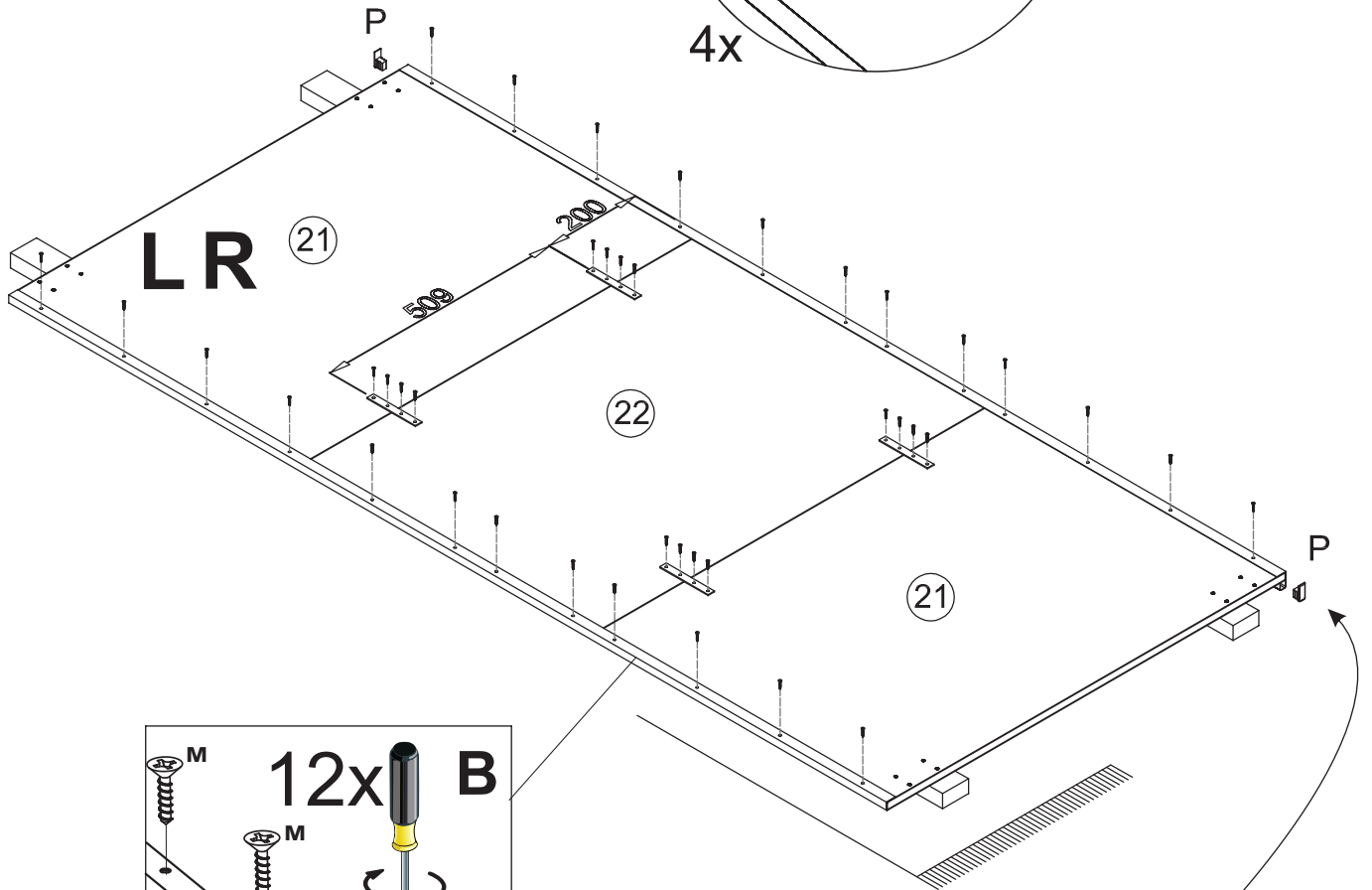
34

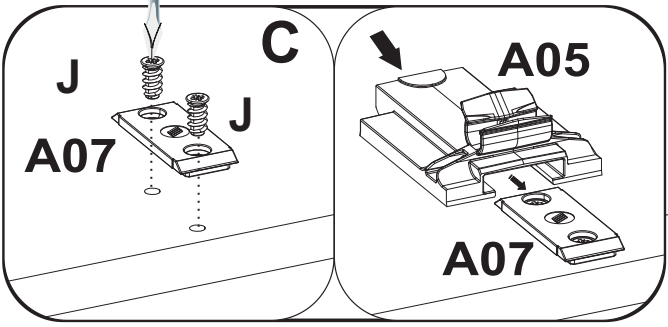
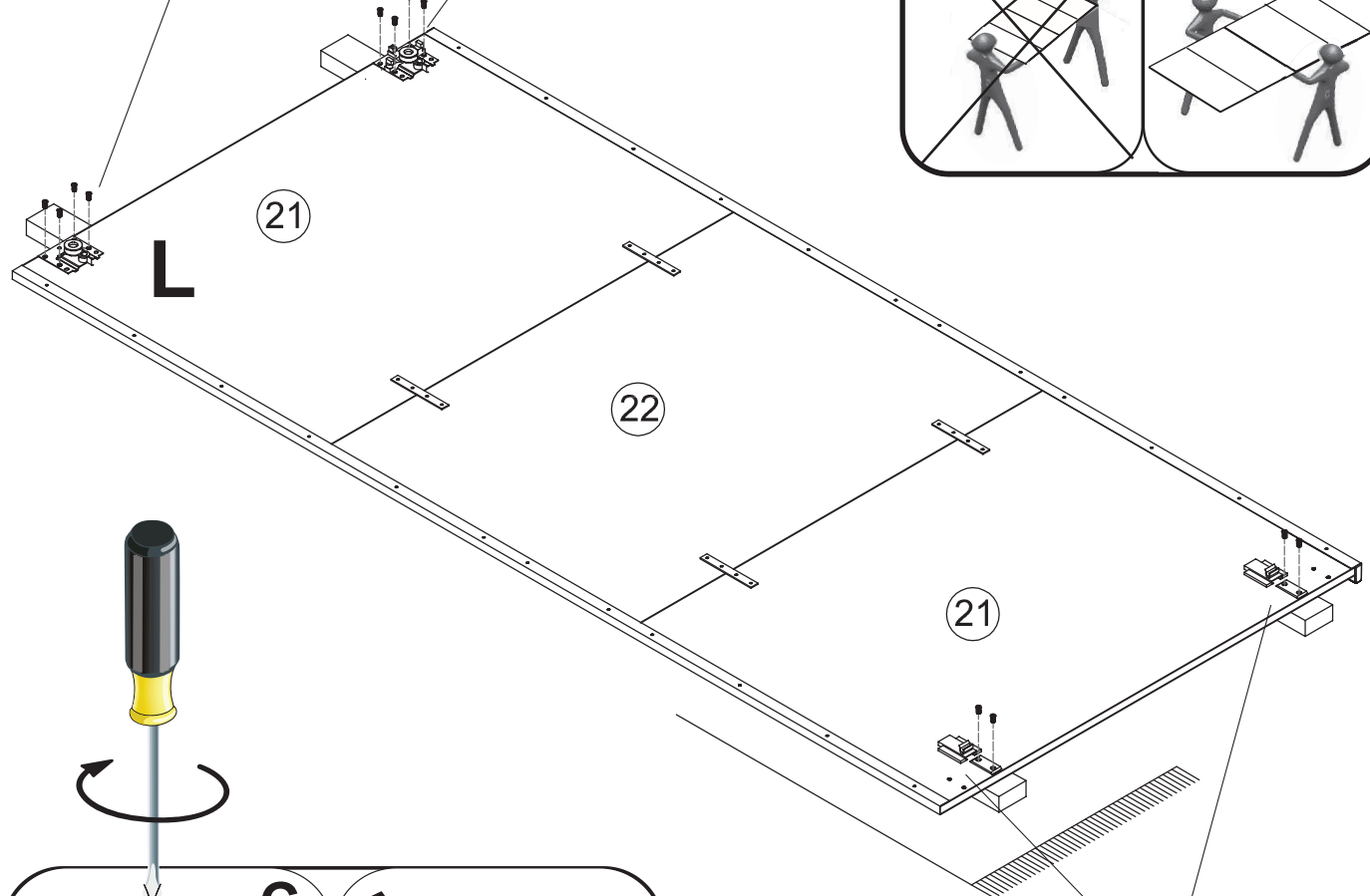
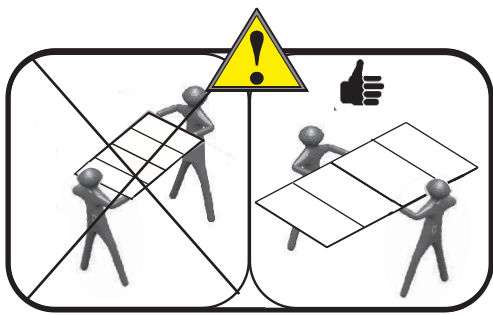
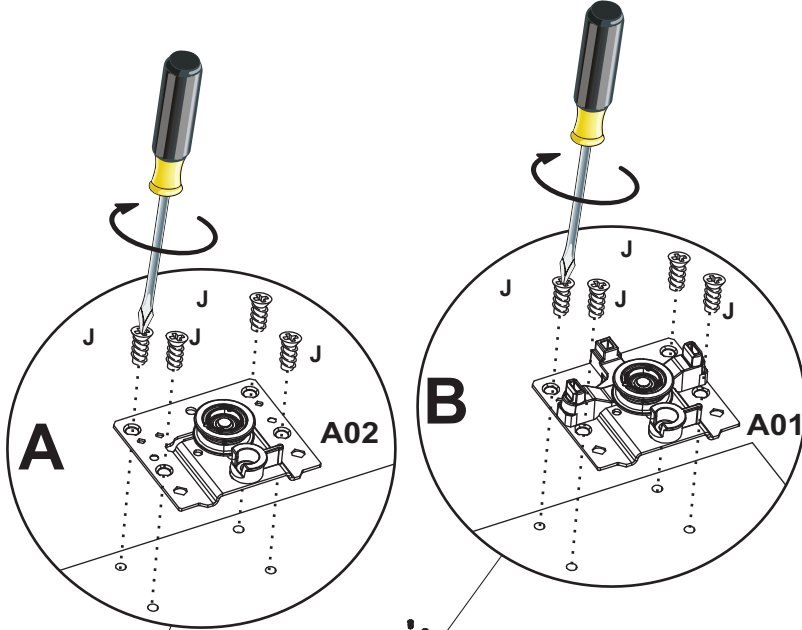
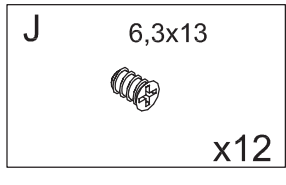
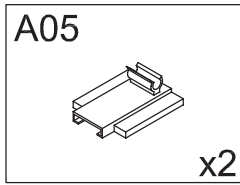
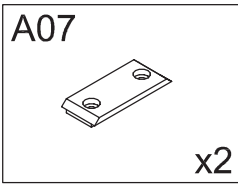
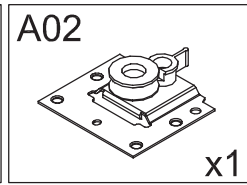
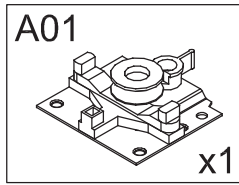


x2

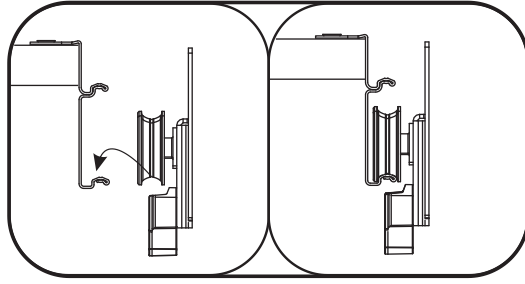


4x

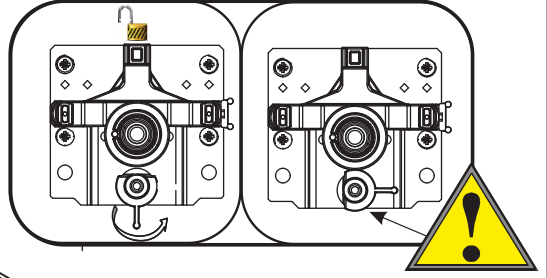




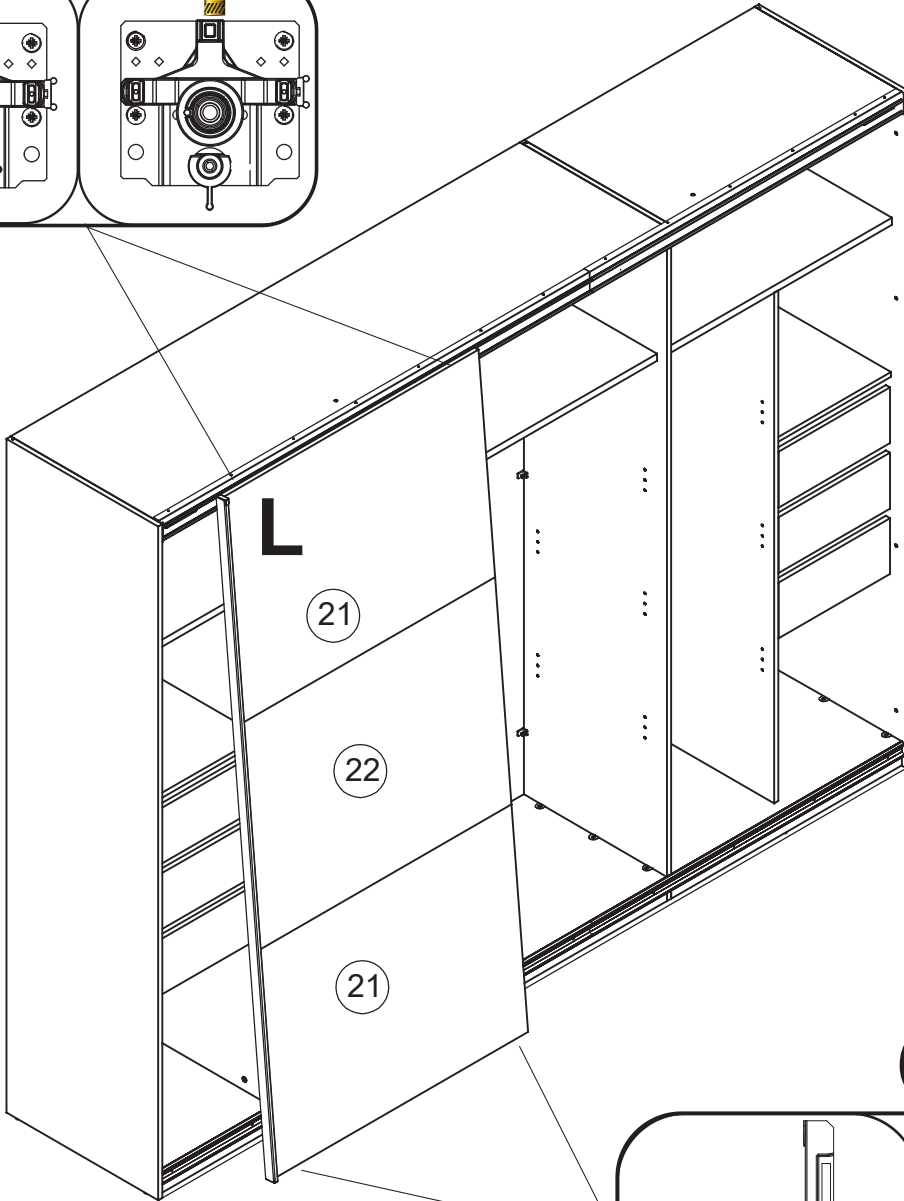
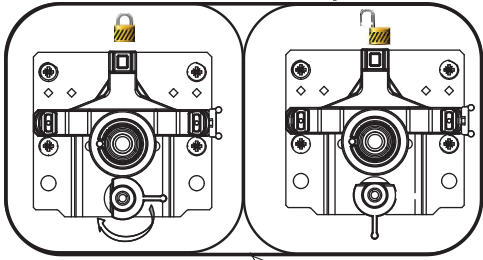
**B**



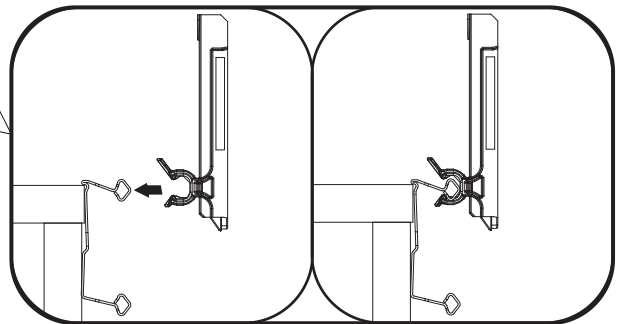
**D**

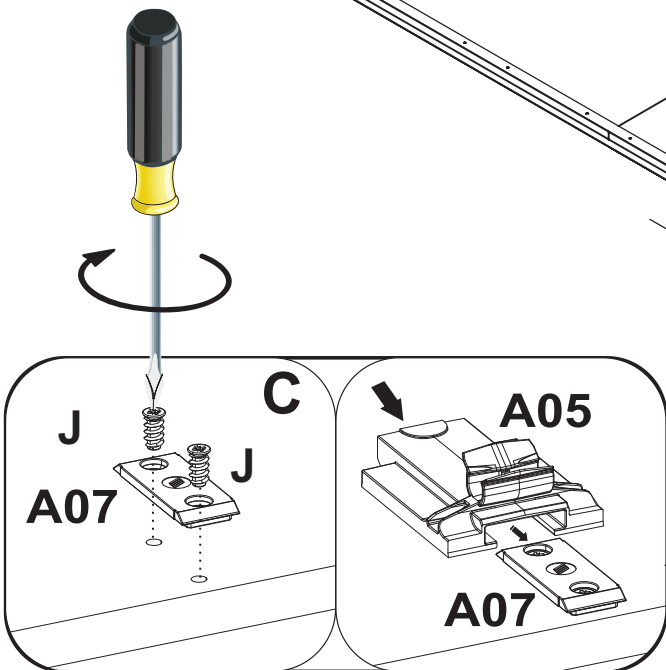
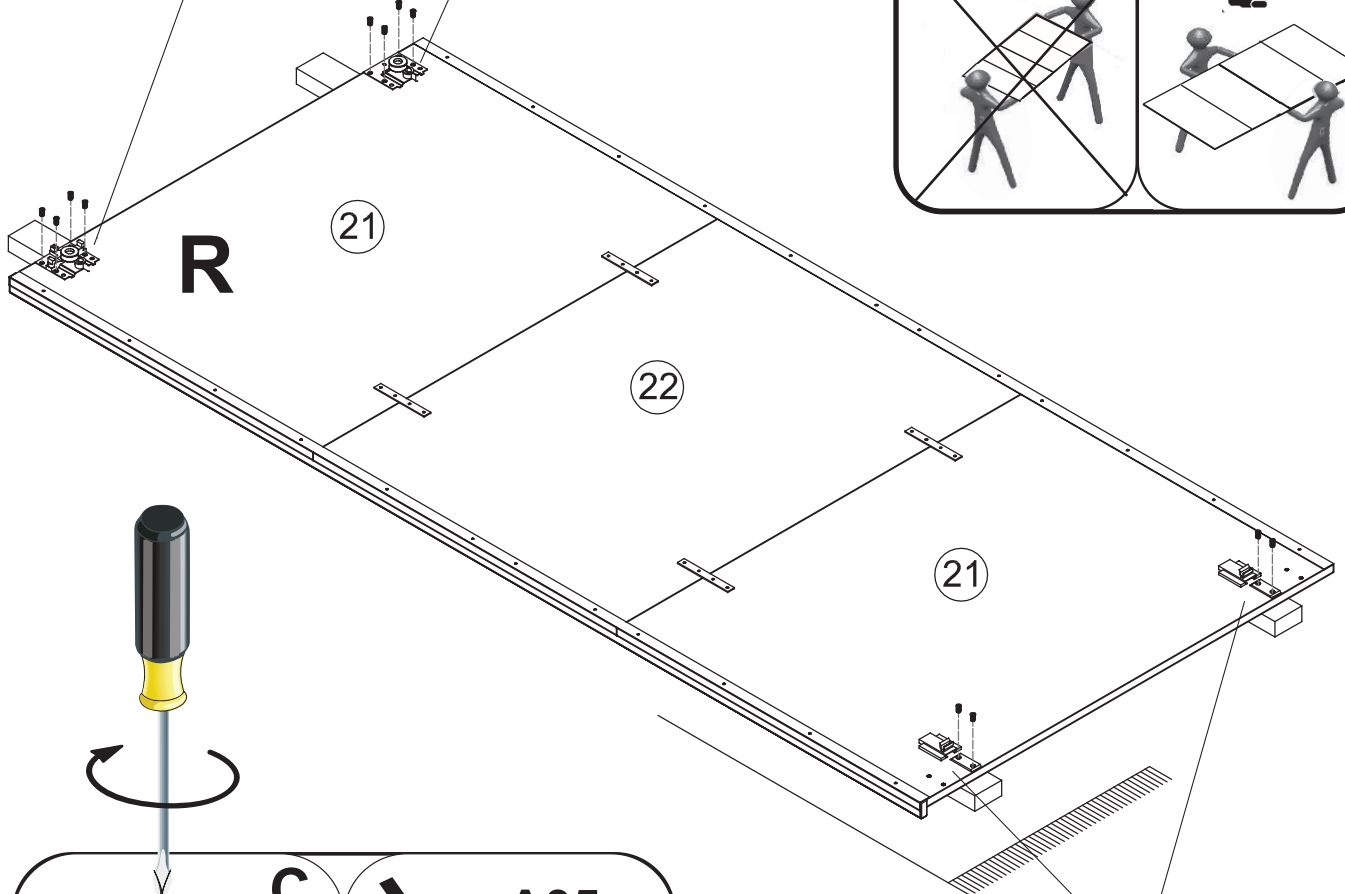
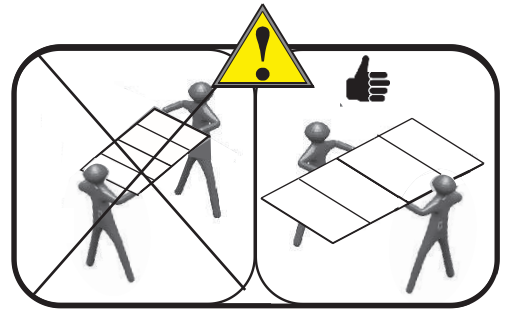
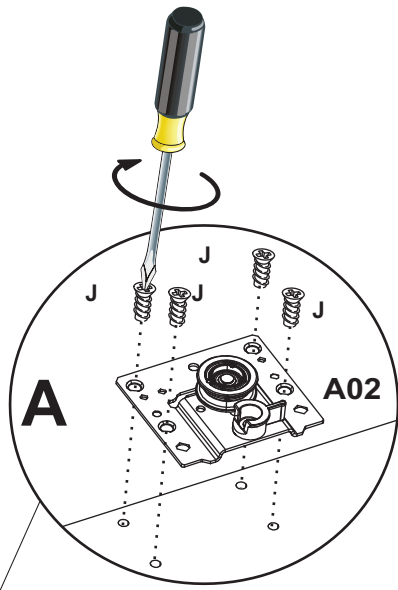
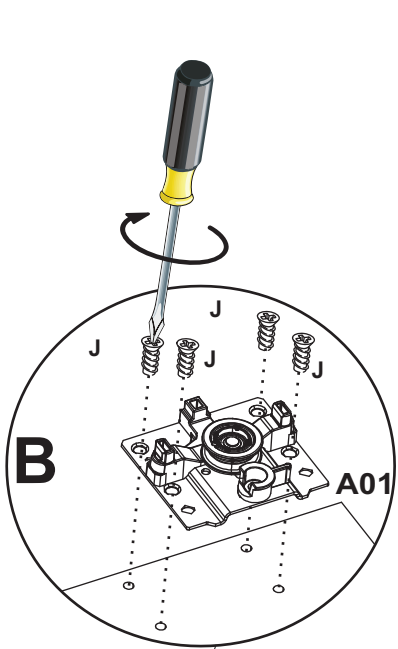
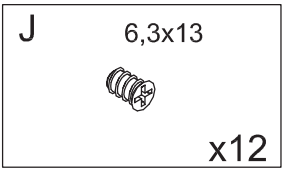
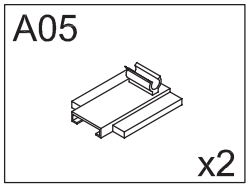
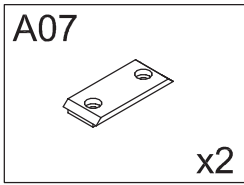
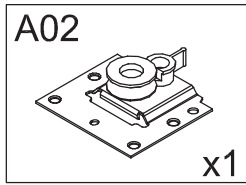
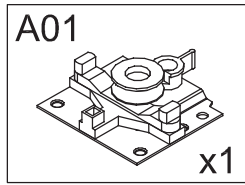


**A**

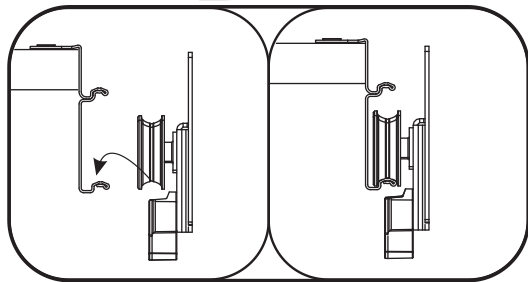


**C**

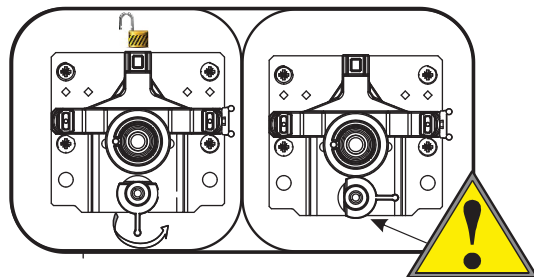




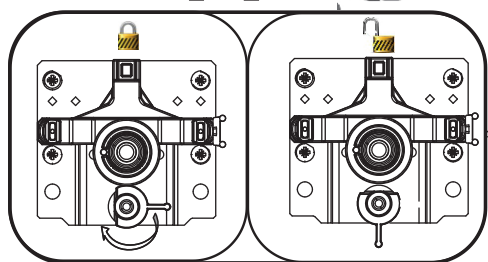
**B**



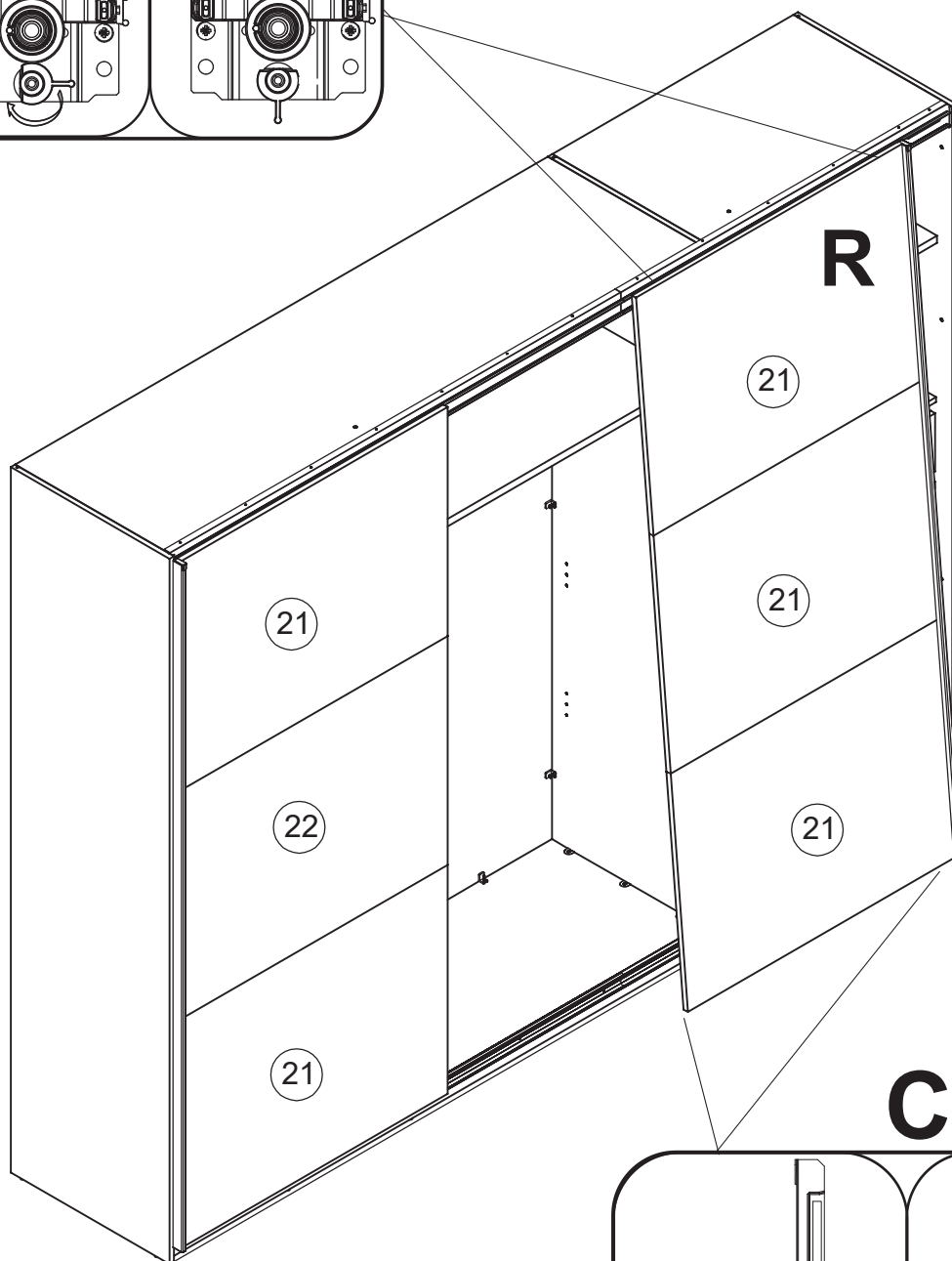
**D**



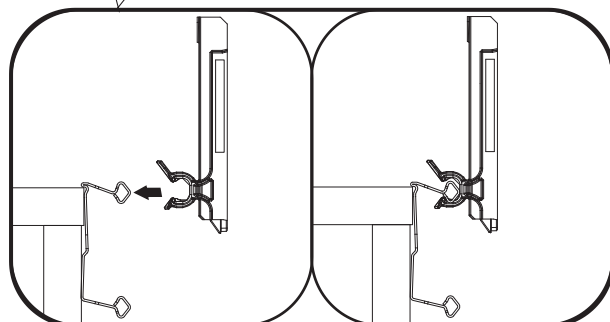
**A**

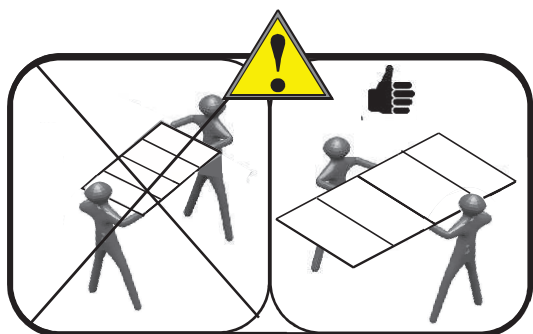
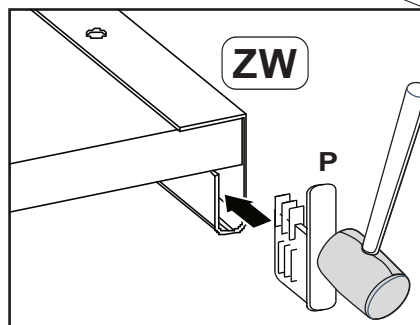
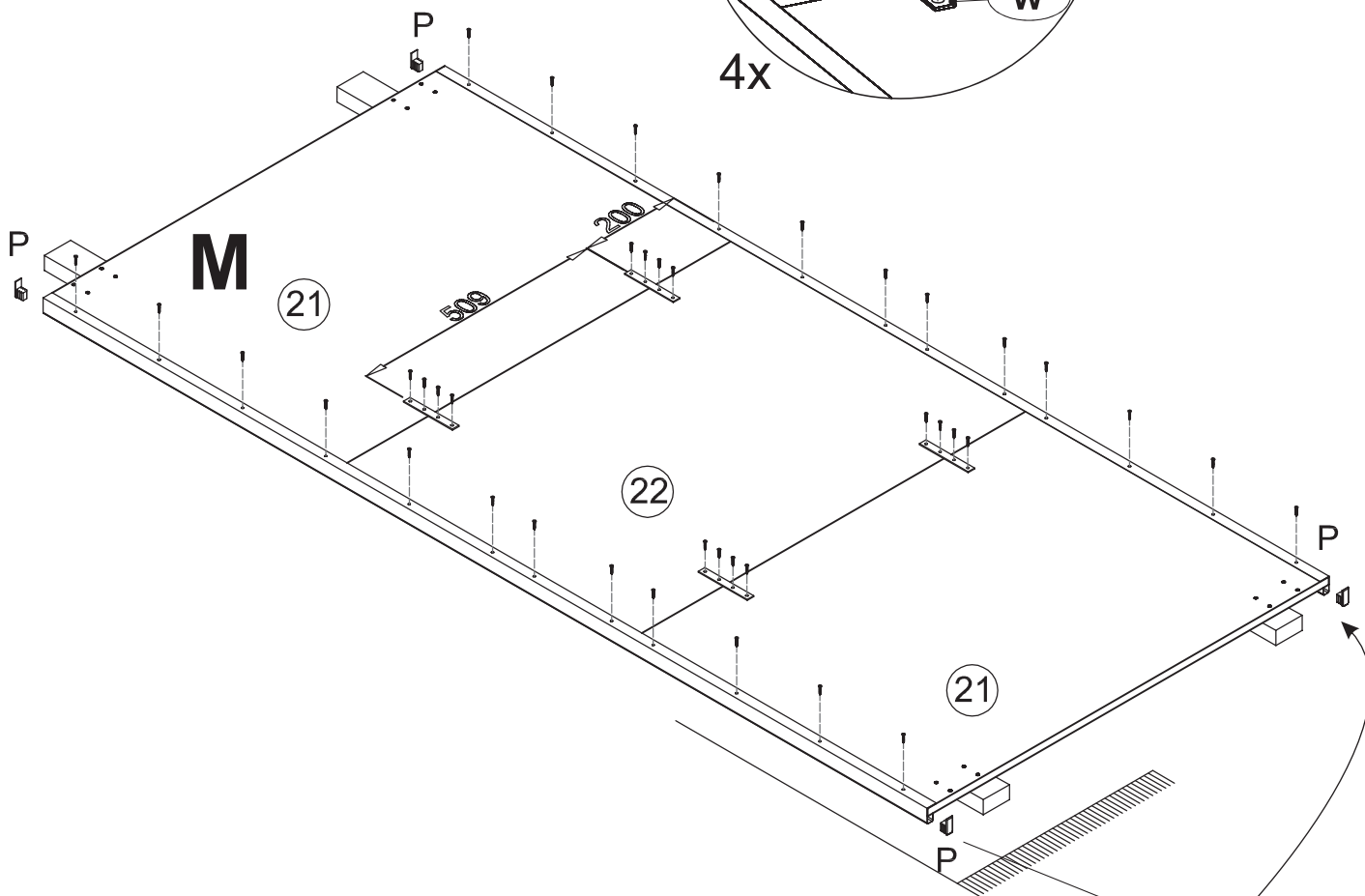
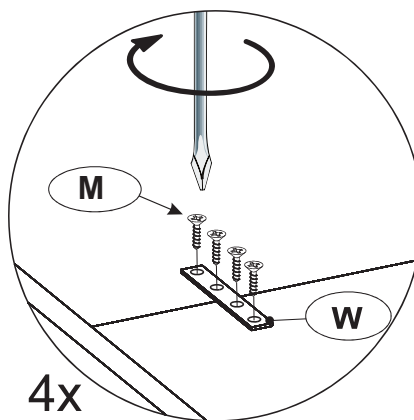
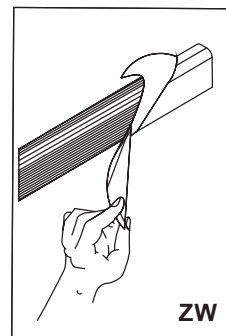
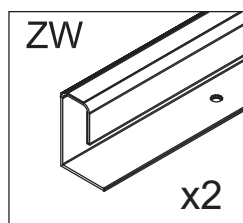
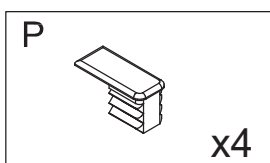
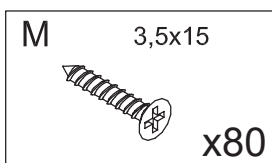
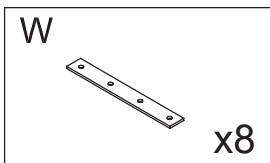


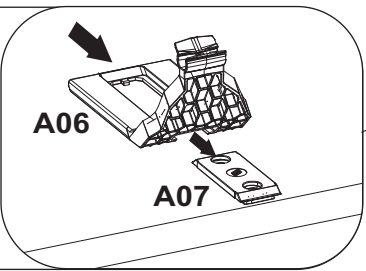
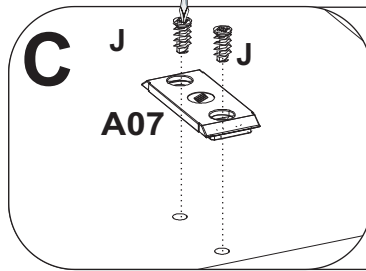
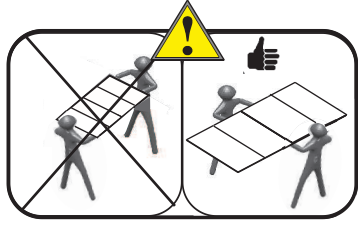
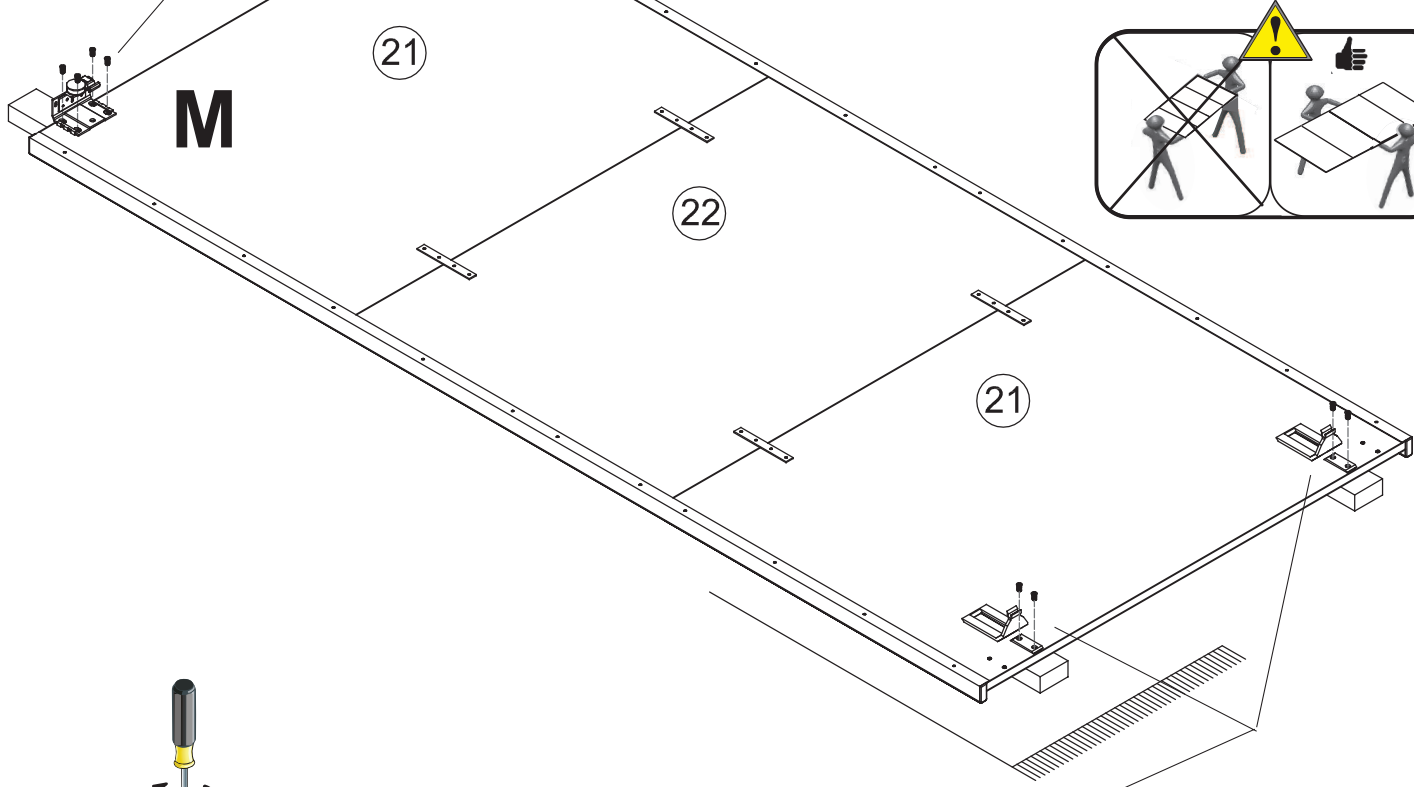
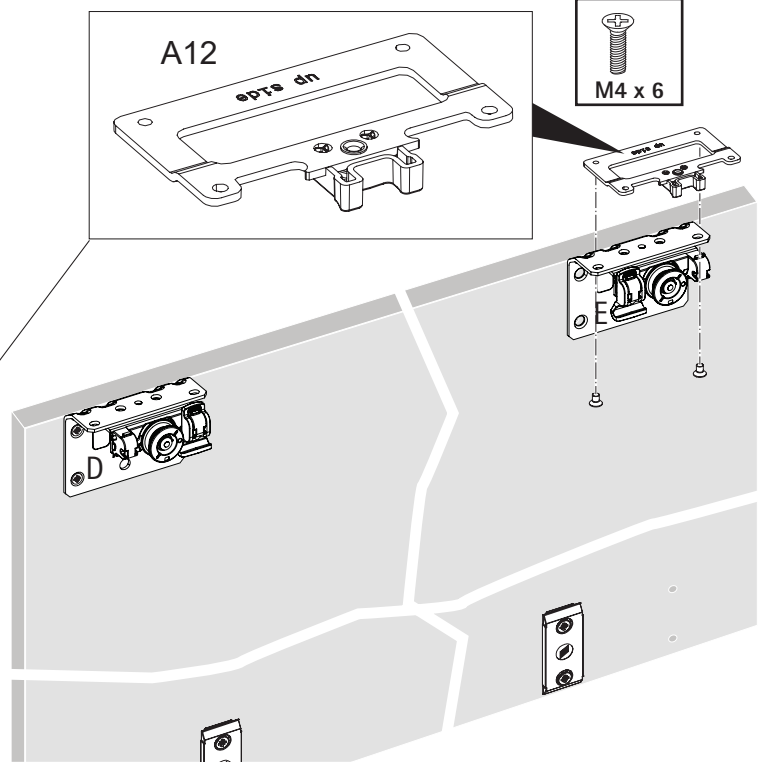
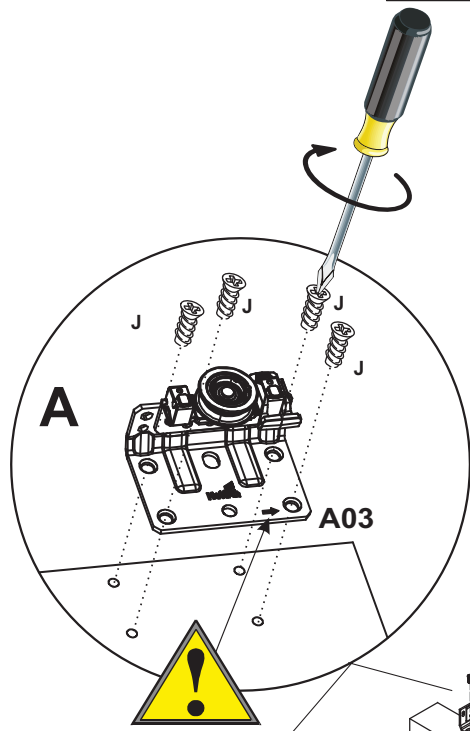
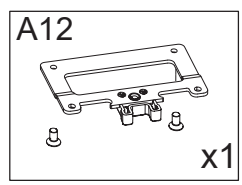
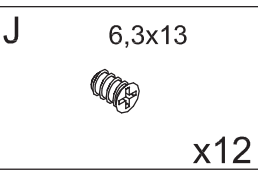
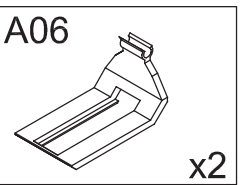
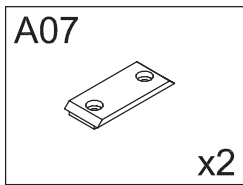
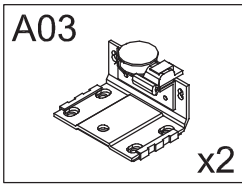
**R**



**C**

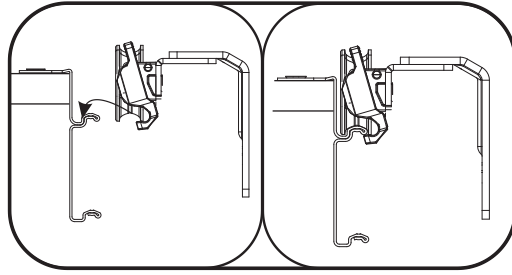




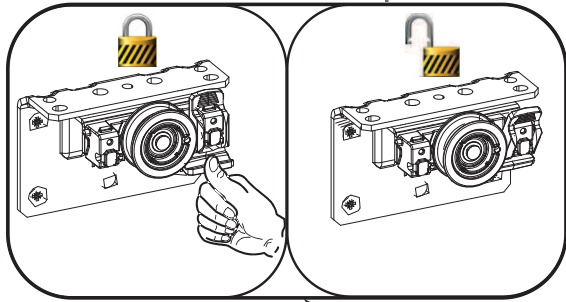




**B**



**A**



**D**

